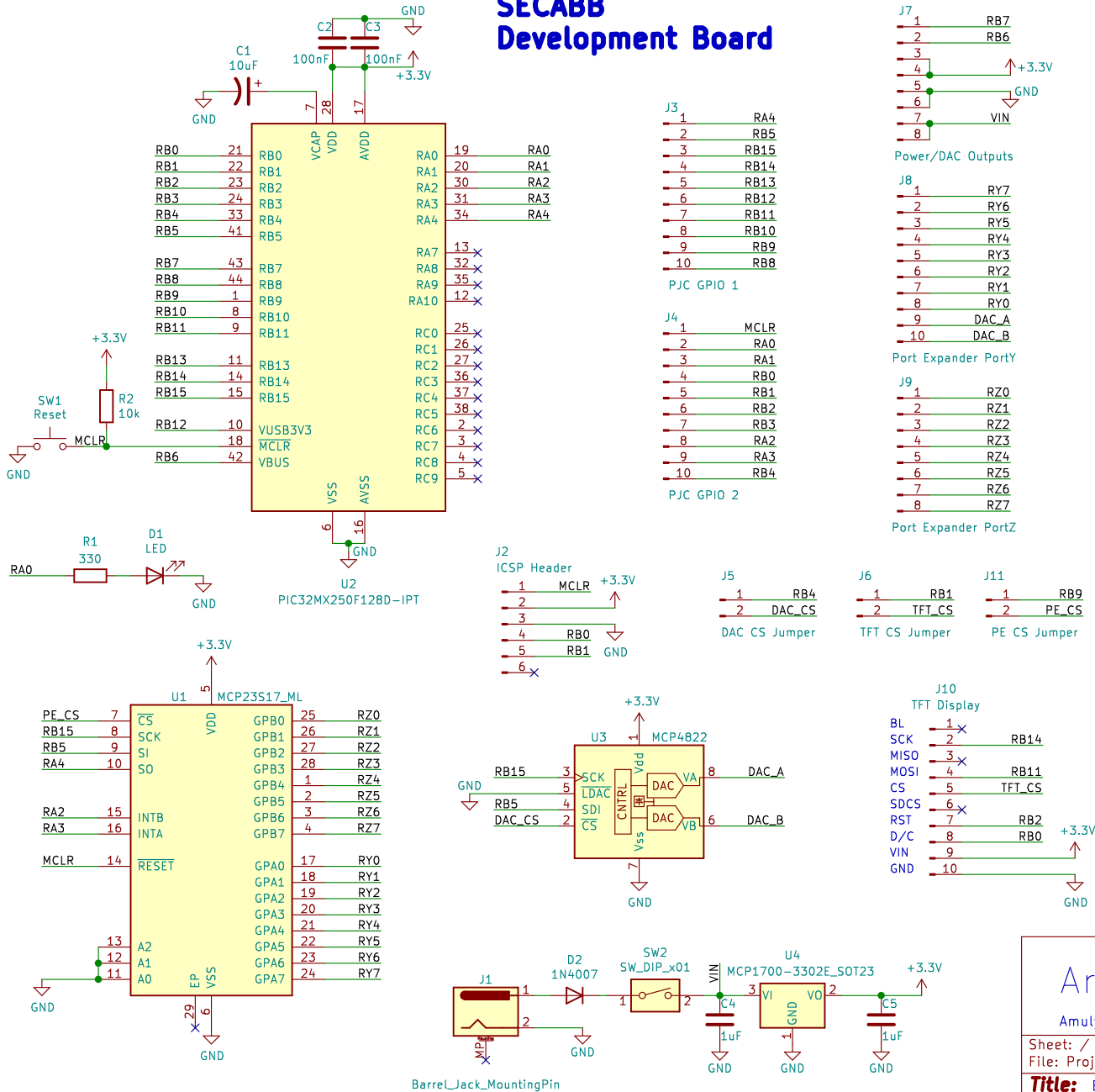


SECABB Development Board



Project Components

Sound Output (to headphones)

Distance Measurement

Servo Control

Trigger Button

AroundSound

Amulya Khurana (ak2425), Aparajito Saha (as2537), Krithik Ranjan (kr397)

Sheet: /
File: Project_circuit.sch

Title: ECE 4760 Fall 2021 Final Project

Size: A4 Date:
KiCad E.D.A. kicad (5.1.10)-1

Rev:
Id: 1/1