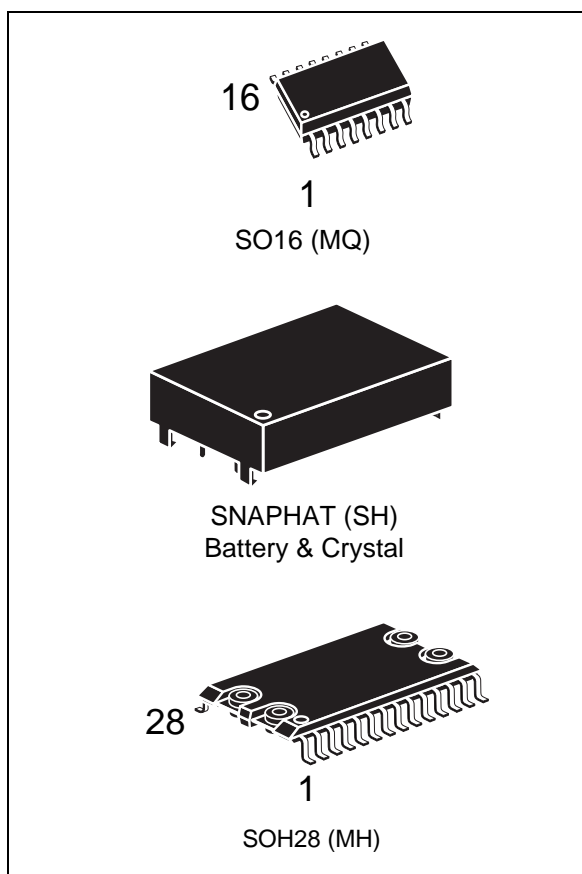


Serial Real Time Clock with 44Bytes NVRAM and Reset

Feature summary

- Counters for tenths/hundredths of seconds, seconds, minutes, hours, day, date, month, year, and century
- 32KHz crystal oscillator integrating load capacitance (12.5pF) providing exceptional oscillator stability and high crystal series resistance operation
- Serial peripheral interface (2MHz SPI)
- Ultra-low battery supply current of 500nA (max)
- 2.7 to 5.5V operating voltage
- 2.5 to 5.5V oscillator operating voltage
- Battery low Flag
- Automatic switch-over and deselect circuitry
- 44 bytes of general purpose RAM
- Programmable Alarm and interrupt function (valid even during battery back-up mode)
- Accurate programmable Watchdog timer (from 62.5ms to 128s)
- Microprocessor power-on reset
- Choice of power-fail deselect voltages ($V_{CC} = 2.7$ to $5.5V$):
 - $T_{HS} = V_{SS}; 2.55V \leq V_{PFD} \leq 2.70V$
 - $T_{HS} = V_{CC}; 4.20V \leq V_{PFD} \leq 4.50V$
- Packaging includes a 28-lead SOIC and SNAPHAT[®] TOP (to be ordered separately) or 16-lead SOIC
- 28-lead SOIC package provides direct connection for a SNAPHAT TOP which contains the battery and crystal



Contents

- 1 Summary description 6**
- 2 Signal description 11**
 - 2.1 Serial data output (SDO) 11
 - 2.2 Serial data input (SDI) 11
 - 2.3 Serial clock (SCL) 11
 - 2.4 Chip Enable (E) 11
- 3 Operation 12**
 - 3.1 SPI bus characteristics 13
 - 3.2 READ and WRITE cycles 16
 - 3.3 Data retention mode 16
- 4 Clock operations 18**
 - 4.1 Power-down time-stamp 18
 - 4.2 Clock registers 18
 - 4.3 Setting Alarm clock registers 20
 - 4.4 Watchdog timer 22
 - 4.5 Square Wave output 22
 - 4.6 Power-on reset 23
 - 4.7 Reset inputs (RSTIN1 & RSTIN2) 23
 - 4.8 Calibrating the clock 24
 - 4.9 Century bit 26
 - 4.10 Output driver pin 27
 - 4.11 Battery low warning 27
 - 4.12 t_{REC} bit 27
 - 4.13 Initial power-on defaults 28
- 5 Maximum rating 29**
- 6 DC and AC parameters 30**
- 7 Package mechanical information 33**

8	Part numbering	38
9	Revision history	39

List of figures

Figure 1.	Logic diagram	7
Figure 2.	16-pin SOIC connections	7
Figure 3.	28-pin SOIC connections	8
Figure 4.	Block diagram	9
Figure 5.	Hardware hookup	9
Figure 6.	Data and clock timing	10
Figure 7.	Input timing requirements	13
Figure 8.	Output timing requirements	14
Figure 9.	READ mode sequence	17
Figure 10.	WRITE mode sequence	17
Figure 11.	Alarm interrupt reset Waveforms	21
Figure 12.	Back-up mode Alarm Waveforms	21
Figure 13.	RSTIN1 and RSTIN2 timing Waveforms.	24
Figure 14.	Crystal accuracy across temperature	26
Figure 15.	Calibration Waveform	26
Figure 16.	AC Testing input/output Waveforms	30
Figure 17.	Power down/up mode AC Waveforms	32
Figure 18.	SO16 – 16-lead plastic small outline package outline	34
Figure 19.	SOH28 – 28-lead plastic small outline, battery SNAPHAT, package outline	35
Figure 20.	SH – 4-pin SNAPHAT housing for 48mAh battery & crystal, package outline	36
Figure 21.	SH – 4-pin SNAPHAT housing for 120mAh battery & crystal, package outline	37

List of tables

Table 1.	Signal names	8
Table 2.	Function table	10
Table 3.	AC characteristics	15
Table 4.	Clock register map	19
Table 5.	Alarm Repeat mode	20
Table 6.	Square Wave output frequency	23
Table 7.	Reset AC characteristics	24
Table 8.	t_{REC} definitions	28
Table 9.	Default values	28
Table 10.	Absolute maximum ratings	29
Table 11.	DC and AC measurement conditions	30
Table 12.	Capacitance	30
Table 13.	DC characteristics	31
Table 14.	Crystal electrical characteristics (externally supplied)	31
Table 15.	Power Down/Up AC Characteristics	32
Table 16.	SO16 – 16-lead Plastic small outline package mechanical data	34
Table 17.	SOH28 – 28-lead plastic small outline, battery SNAPHAT, package mechanical data	35
Table 18.	SH – 4-pin SNAPHAT housing for 48mAh battery & crystal, package mechanical data	36
Table 19.	SH – 4-pin SNAPHAT housing for 120mAh battery & crystal, package mech. data.	37
Table 20.	Ordering information scheme	38
Table 21.	SNAPHAT Battery Table	38
Table 22.	Document Revision History	39

1 Summary description

The M41T94 is a Serial Real Time Clock with 44 bytes of NVRAM and a RESET output. A built-in 32,768Hz oscillator (external crystal controlled) and 8 bytes of the SRAM (see [Table 4 on page 19](#)) are used for the clock/calendar function and are configured in binary coded decimal (BCD) format.

An additional 12 bytes of RAM provide status/control of Alarm, Watchdog and Square Wave functions. Addresses and data are transferred serially via a serial SPI interface. The built-in address register is incremented automatically after each WRITE or READ data byte. The M41T94 has a built-in power sense circuit which detects power failures and automatically switches to the battery supply when a power failure occurs. The energy needed to sustain the SRAM and clock operations can be supplied by a small lithium button-cell supply when a power failure occurs. Functions available to the user include a non-volatile, time-of-day clock/calendar, Alarm interrupts, Watchdog timer and programmable Square Wave output. Other features include a Power-On reset as well as two additional debounced inputs ($\overline{\text{RSTIN1}}$ and $\overline{\text{RSTIN2}}$) which can also generate an output reset ($\overline{\text{RST}}$). The eight clock address locations contain the century, year, month, date, day, hour, minute, second and tenths/hundredths of a second in 24 hour BCD format. Corrections for 28, 29 (leap year - valid until year 2100), 30 and 31 day months are made automatically. The ninth clock address location controls user access to the clock information and also stores the clock software calibration setting.

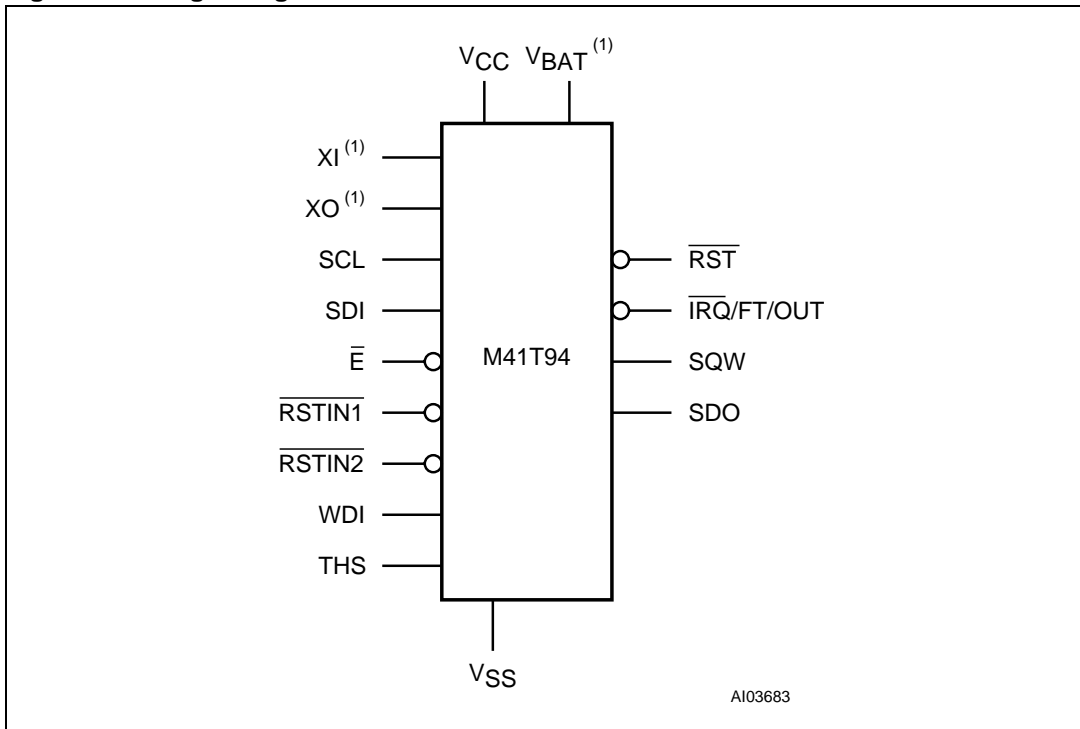
The M41T94 is supplied in either a 16-lead plastic SOIC (requiring user supplied crystal and battery) or a 28-lead SOIC SNAPHAT[®] package (which integrates both crystal and battery in a single SNAPHAT top). The 28-pin, 330mil SOIC provides sockets with gold plated contacts at both ends for direct connection to a separate SNAPHAT housing containing the battery and crystal. The unique design allows the SNAPHAT battery/crystal package to be mounted on top of the SOIC package after the completion of the surface mount process.

Insertion of the SNAPHAT housing after reflow prevents potential battery and crystal damage due to the high temperatures required for device surface-mounting. The SNAPHAT housing is also keyed to prevent reverse insertion.

The SOIC and battery/crystal packages are shipped separately in plastic anti-static tubes or in Tape & Reel form. For the 28-lead SOIC, the battery/crystal package (e.g., SNAPHAT) part number is "M4TXX-BR12SH" (see [Table 21 on page 38](#)).

Caution: Do not place the SNAPHAT battery/crystal top in conductive foam, as this will drain the lithium button-cell battery.

Figure 1. Logic diagram



1. For SO16 package only.

Figure 2. 16-pin SOIC connections

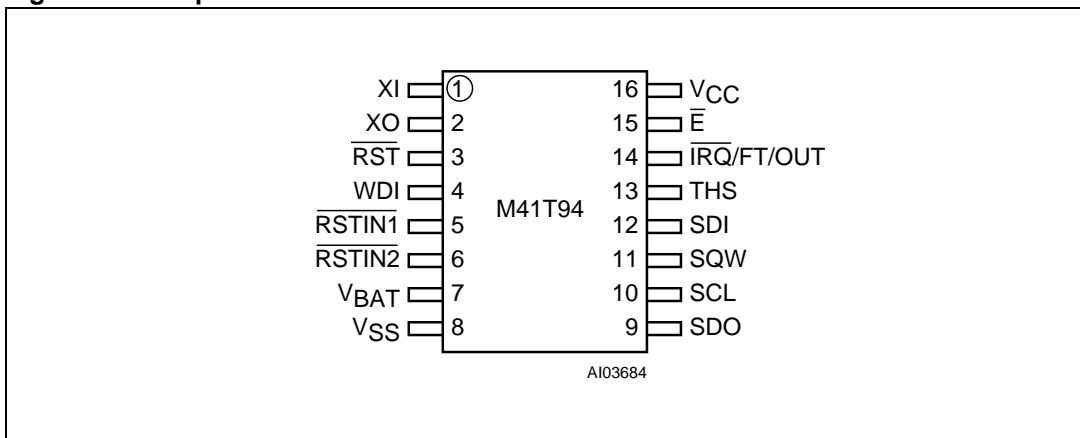


Table 1. Signal names

\overline{E}	Chip Enable
$\overline{IRQ/FT/OUT}$	Interrupt/frequency test/out output (open drain)
\overline{RST}	Reset output (open drain)
$\overline{RSTIN1}$	Reset 1 input
$\overline{RSTIN2}$	Reset 2 input
SCL	Serial Clock input
SDI	Serial data input
SDO	Serial data output
SQW	Square Wave output
THS	Threshold select pin
WDI	Watchdog input
XI ⁽¹⁾	Oscillator input
XO ⁽¹⁾	Oscillator output
V _{BAT} ⁽¹⁾	Battery supply voltage
V _{CC}	Supply voltage
V _{SS}	Ground

1. For SO16 package only.

Figure 3. 28-pin SOIC connections

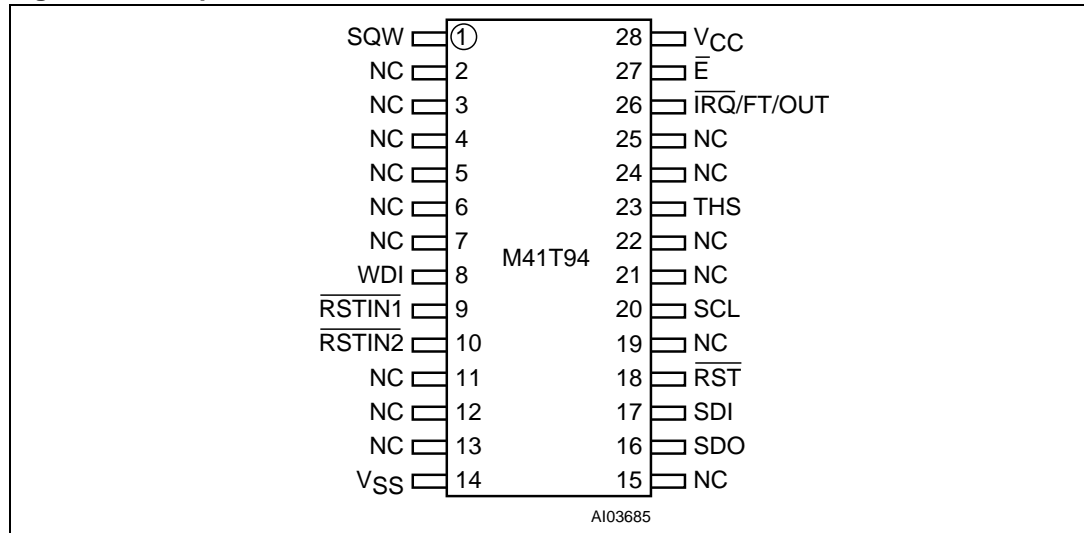
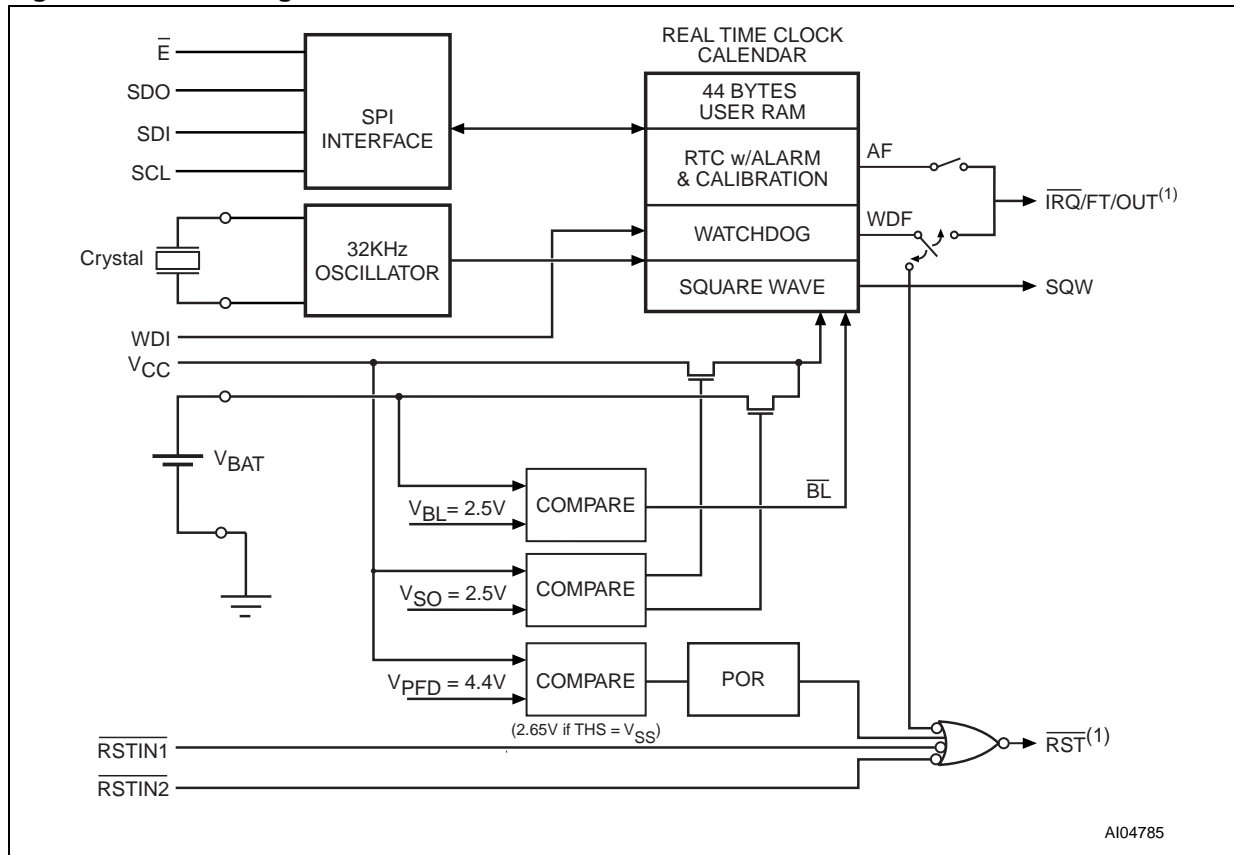


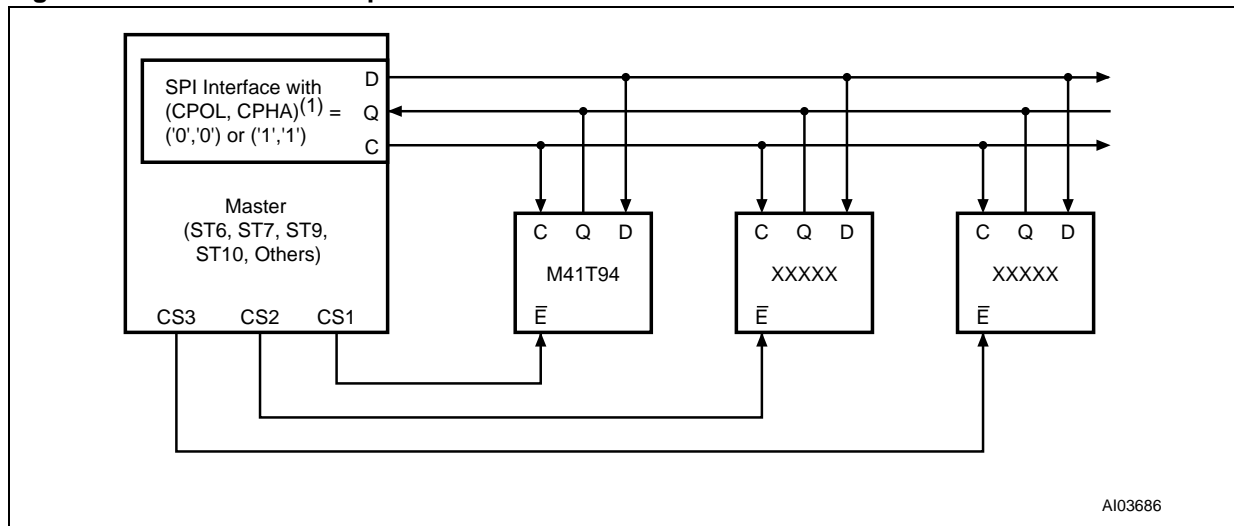
Figure 4. Block diagram



AI04785

1. Open drain output

Figure 5. Hardware hookup



AI03686

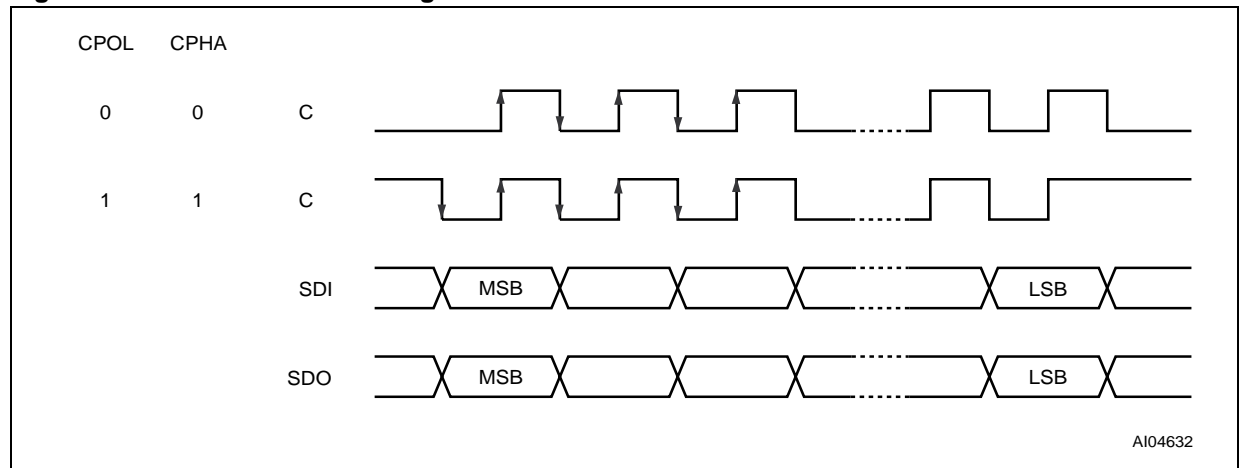
1. CPOL (clock polarity) and CPHA (clock phase) are bits that may be set in the SPI Control register of the MCU.

Table 2. Function table

Mode	\bar{E}	SCL	SDI	SDO
Disable reset	H	Input disabled	Input disabled	High Z
WRITE	L		Data bit latch	High Z
READ	L		X	Next data bit shift ⁽¹⁾

1. SDO remains at High Z until eight bits of data are ready to be shifted out during a READ.

Figure 6. Data and clock timing



2 Signal description

2.1 Serial data output (SDO)

The output pin is used to transfer data serially out of the Memory. Data is shifted out on the falling edge of the serial clock.

2.2 Serial data input (SDI)

The input pin is used to transfer data serially into the device. Instructions, addresses, and the data to be written, are each received this way. Input is latched on the rising edge of the serial clock.

2.3 Serial clock (SCL)

The serial clock provides the timing for the serial interface (as shown in [Figure 7 on page 13](#) and [Figure 8 on page 14](#)). The W/R bit, addresses, or data are latched, from the input pin, on the rising edge of the clock input. The output data on the SDO pin changes state after the falling edge of the clock input.

The M41T94 can be driven by a microcontroller with its SPI peripheral running in either of the two following modes:

- (CPOL, CPHA) = ('0', '0') or
- (CPOL, CPHA) = ('1', '1').

For these two modes, input data (SDI) is latched in by the low-to-high transition of clock SCL, and output data (SDO) is shifted out on the high-to-low transition of SCL (see [Table 2 on page 10](#) and [Figure 6 on page 10](#)).

2.4 Chip Enable (\bar{E})

When \bar{E} is high, the memory device is deselected, and the SDO output pin is held in its high impedance state. After power-on, a high-to-low transition on \bar{E} is required prior to the start of any operation.

3 Operation

The M41T94 clock operates as a slave device on the SPI serial bus. Each memory device is accessed by a simple serial interface that is SPI bus compatible. The bus signals are SCL, SDI and SDO (see [Table 1 on page 8](#) and [Figure 5 on page 9](#)). The device is selected when the Chip Enable input (\bar{E}) is held low. All instructions, addresses and data are shifted serially in and out of the chip. The most significant bit is presented first, with the data input (SDI) sampled on the first rising edge of the clock (SCL) after the Chip Enable (\bar{E}) goes low. The 64 bytes contained in the device can then be accessed sequentially in the following order:

- 1st Byte: tenths/hundredths of a second register
- 2nd Byte: seconds register
- 3rd Byte: minutes register
- 4th Byte: century/hours register
- 5th Byte: day register
- 6th Byte: date register
- 7th Byte: month register
- 8th Byte: year register
- 9th Byte: Control register
- 10th Byte: Watchdog register
- 11th - 16th Bytes: Alarm registers
- 17th - 19th Bytes: reserved
- 20th Byte: Square Wave register
- 21st - 64th Bytes: user RAM

The M41T94 clock continually monitors V_{CC} for an out-of tolerance condition. Should V_{CC} fall below V_{PFD} , the device terminates an access in progress and resets the device address counter. Inputs to the device will not be recognized at this time to prevent erroneous data from being written to the device from a an out-of-tolerance system. When V_{CC} falls below V_{SO} , the device automatically switches over to the battery and powers down into an ultra low current mode of operation to conserve battery life. As system power returns and V_{CC} rises above V_{SO} , the battery is disconnected, and the power supply is switched to external V_{CC} .

Write protection continues until V_{CC} reaches V_{PFD} (min) plus t_{REC} (min). For more information on Battery Storage Life refer to Application Note AN1012.

3.1 SPI bus characteristics

The Serial Peripheral interface (SPI) bus is intended for synchronous communication between different ICs. It consists of four signal lines: Serial data input (SDI), Serial data output (SDO), Serial clock (SCL) and a Chip Enable (\bar{E}).

By definition a device that gives out a message is called “transmitter,” the receiving device that gets the message is called “receiver.” The device that controls the message is called “master.” The devices that are controlled by the master are called “slaves.”

The \bar{E} input is used to initiate and terminate a data transfer. The SCL input is used to synchronize data transfer between the master (micro) and the slave (M41T94) devices.

The SCL input, which is generated by the microcontroller, is active only during address and data transfer to any device on the SPI bus (see [Figure 5 on page 9](#)).

The M41T94 can be driven by a microcontroller with its SPI peripheral running in either of the two following modes:

- (CPOL, CPHA) = ('0', '0') or
- (CPOL, CPHA) = ('1', '1').

For these two modes, input data (SDI) is latched in by the low-to-high transition of clock SCL, and output data (SDO) is shifted out on the high-to-low transition of SCL (see [Table 2 on page 10](#) and [Figure 6 on page 10](#)).

There is one clock for each bit transferred. Address and data bits are transferred in groups of eight bits. Due to memory size the second most significant address bit is a Don't Care (address bit 6).

Figure 7. Input timing requirements

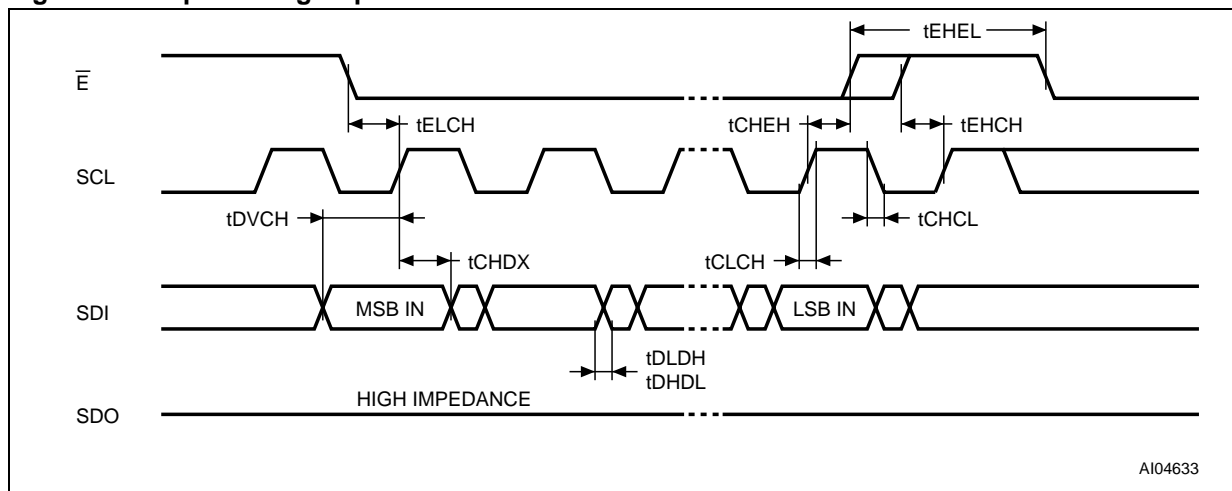
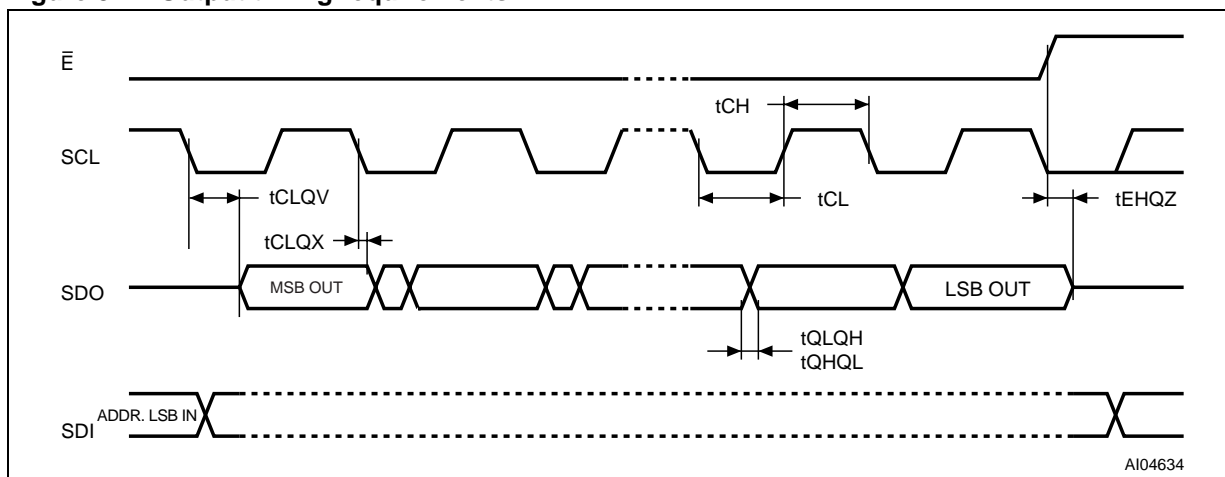


Figure 8. Output timing requirements



A104634

Table 3. AC characteristics

Symbol	Parameter ⁽¹⁾	Min	Max	Unit
f _{SCL}	Serial clock input frequency	DC	2	MHz
t _{CH} ⁽²⁾	Clock high	200		ns
t _{CHCL} ⁽³⁾	Clock transition (fall time)		1	µs
t _{CHDX}	Serial clock input high to input data transition	50		ns
t _{CHEH}	Serial clock input high to Chip Enable high	200		ns
t _{CL} ⁽²⁾	Clock low	200		ns
t _{CLCH} ⁽³⁾	Clock transition (rise time)		1	µs
t _{CLQV}	Serial clock input low to output valid		150	ns
t _{CLQX}	Serial clock input low to output data transition	0		ns
t _{DHDL} ⁽³⁾	Input data transition (fall time)		1	µs
t _{DLDH} ⁽³⁾	Input data transition (rise time)		1	µs
t _{DVCH}	Input data to serial clock input high	40		ns
t _{EHCH}	Chip Enable high to serial clock input high	200		ns
t _{EHEL}	Chip Enable high to Chip Enable low	200		ns
t _{EHQZ} ⁽³⁾	Chip Enable high to output high-z		250	ns
t _{ELCH}	Chip Enable low to serial clock input high	200		ns
t _{QHQL} ⁽³⁾	Output data transition (fall time)		100	ns
t _{QLQH} ⁽³⁾	Output data transition (rise time)		100	ns

1. Valid for Ambient Operating Temperature: T_A = -40 to 85°C; V_{CC} = 2.7 to 5.5V (except where noted).
2. t_{CH} + t_{CL} ≥ 1/f_{SCL}
3. Value guaranteed by design, not 100% tested in production.

3.2 READ and WRITE cycles

Address and data are shifted MSB first into the Serial Data Input (SDI) and out of the Serial Data Output (SDO). Any data transfer considers the first bit to define whether a READ or WRITE will occur. This is followed by seven bits defining the address to be read or written. Data is transferred out of the SDO for a READ operation and into the SDI for a WRITE operation. The address is always the second through the eighth bit written after the Enable (\bar{E}) pin goes low. If the first bit is a '1,' one or more WRITE cycles will occur. If the first bit is a '0,' one or more READ cycles will occur (see Figure [Figure 9 on page 17](#) and [Figure 10 on page 17](#)).

Data transfers can occur one byte at a time or in multiple byte burst mode, during which the address pointer will be automatically incremented. For a single byte transfer, one byte is read or written and then \bar{E} is driven high. For a multiple byte transfer all that is required is that \bar{E} continue to remain low. Under this condition, the address pointer will continue to increment as stated previously. Incrementing will continue until the device is deselected by taking \bar{E} high. The address will wrap to 00h after incrementing to 3Fh.

The system-to-user transfer of clock data will be halted whenever the address being read is a clock address (00h to 07h). Although the clock continues to maintain the correct time, this will prevent updates of time and date during either a READ or WRITE of these address locations by the user. The update will resume either due to a deselect condition or when the pointer increments to a non-clock or RAM address (08h to 3Fh).

Note: This is true both in READ and WRITE mode.

3.3 Data retention mode

With valid V_{CC} applied, the M41T94 can be accessed as described above with READ or WRITE cycles. Should the supply voltage decay, the M41T94 will automatically deselect, write protecting itself when V_{CC} falls between $V_{PFD}(\max)$ and $V_{PFD}(\min)$ (see [Figure 17 on page 32](#)). At this time, the reset pin (\overline{RST}) is driven active and will remain active until V_{CC} returns to nominal levels. When V_{CC} falls below the switch-over voltage (V_{SO}), power input is switched from the V_{CC} pin to the SNAPHAT battery (or external battery for SO16) at this time, and the clock registers are maintained from the attached battery supply. All outputs become high impedance. On power up, when V_{CC} returns to a nominal value, write protection continues for t_{REC} by internally inhibiting \bar{E} . The \overline{RST} signal also remains active during this time (see [Figure 17 on page 32](#)). Before the next active cycle, Chip Enable should be taken high for at least t_{EHEL} , then low.

For a further more detailed review of battery lifetime calculations, please see Application Note AN1012.

Figure 9. READ mode sequence

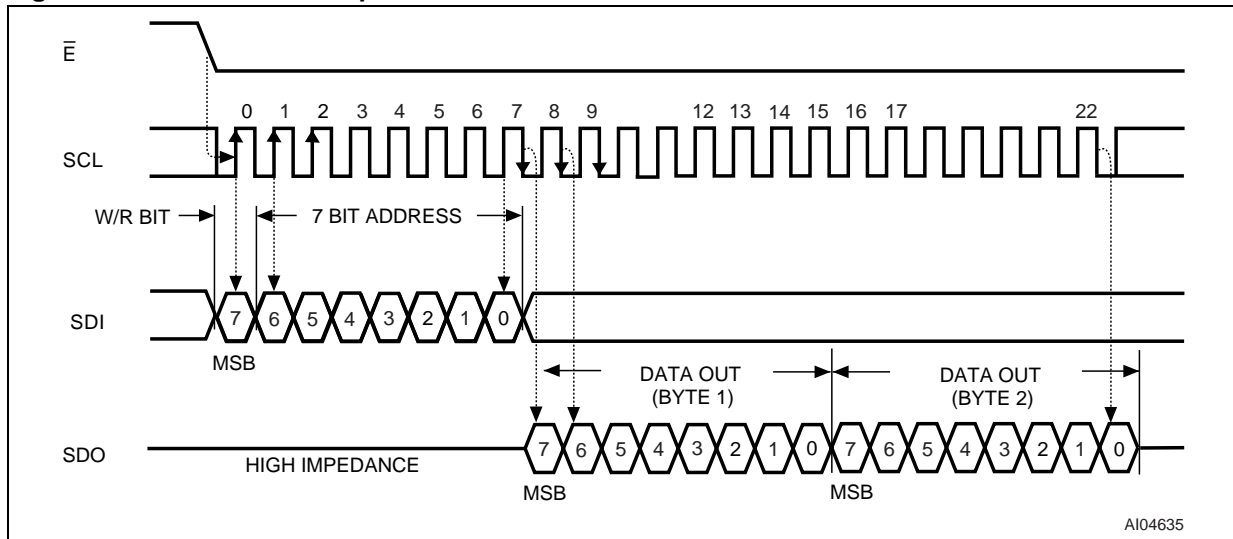
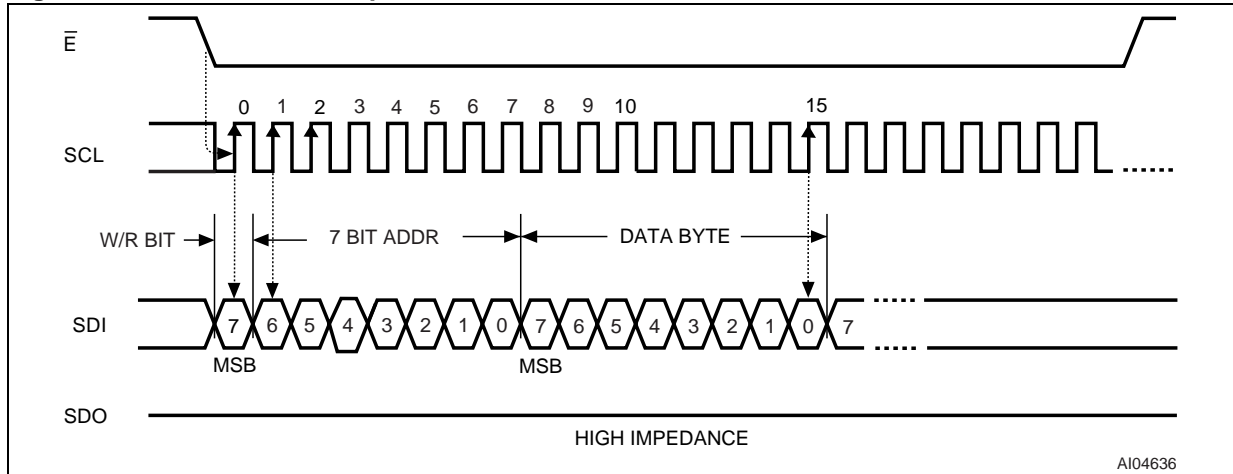


Figure 10. WRITE mode sequence



4 Clock operations

The eight byte clock register (see [Table 4 on page 19](#)) is used to both set the clock and to read the date and time from the clock, in a binary coded decimal format. Tenths/Hundredths of Seconds, Seconds, Minutes, and Hours are contained within the first four registers. Bits D6 and D7 of clock register 03h (century/hours register) contain the CENTURY ENABLE bit (CEB) and the CENTURY bit (CB). Setting CEB to a '1' will cause CB to toggle, either from '0' to '1' or from '1' to '0' at the turn of the century (depending upon its initial state). If CEB is set to a '0,' CB will not toggle. Bits D0 through D2 of register 04h contain the Day (day of week). Registers 05h, 06h, and 07h contain the Date (day of month), Month and Years. The ninth clock register is the Control register (this is described in the clock calibration section). Bit D7 of register 01h contains the STOP bit (ST). Setting this bit to a '1' will cause the oscillator to stop. If the device is expected to spend a significant amount of time on the shelf, the oscillator may be stopped to reduce current drain. When reset to a '0' the oscillator restarts within one second.

The eight clock registers may be read one byte at a time, or in a sequential block. The Control register (Address location 08h) may be accessed independently. Provision has been made to assure that a clock update does not occur while any of the eight clock addresses are being read. If a clock address is being read, an update of the clock registers will be halted. This will prevent a transition of data during the READ.

4.1 Power-down time-stamp

When a power failure occurs, the Halt Update bit (HT) will automatically be set to a '1.' This will prevent the clock from updating the clock registers, and will allow the user to read the exact time of the power-down event. Resetting the HT bit to a '0' will allow the clock to update the clock registers with the current time. For more information, see Application Note AN1572.

4.2 Clock registers

The M41T94 offers 20 internal registers which contain clock, Alarm, Watchdog, Flag, Square Wave and Control data (see [Table 4 on page 19](#)). These registers are memory locations which contain external (user accessible) and internal copies of the data (usually referred to as BiPORT™ cells). The external copies are independent of internal functions except that they are updated periodically by the simultaneous transfer of the incremented internal copy. The internal divider (or clock) chain will be reset upon the completion of a WRITE to any clock address.

The system-to-user transfer of clock data will be halted whenever the clock addresses (00h to 07h) are being written. The update will resume either due to a deselect condition or when the pointer increments to a non-clock or RAM address.

Clock and Alarm registers store data in BCD. Control, Watchdog and Square Wave registers store data in Binary format.

Table 4. Clock register map⁽¹⁾

Addr									Function/range	
	D7	D6	D5	D4	D3	D2	D1	D0	BCD format	
00h	0.1 seconds				0.01 seconds				Seconds	00-99
01h	ST	10 seconds			Seconds				Seconds	00-59
02h	0	10 minutes			Minutes				Minutes	00-59
03h	CEB	CB	10 Hours		Hours (24 hour format)			Century/hours	0-1/00-23	
04h	TR	0	0	0	0	Day of week		Day	01-7	
05h	0	0	10 date		Date: day of month			Date	01-31	
06h	0	0	0	10M	Month			Month	01-12	
07h	10 Years				Year				Year	00-99
08h	OUT	FT	S	Calibration				Control		
09h	WDS	BMB4	BMB3	BMB2	BMB1	BMB0	RB1	RB0	Watchdog	
0Ah	AFE	SQWE	ABE	AI 10M	Alarm month			AI month	01-12	
0Bh	RPT4	RPT5	AI 10 date		Alarm date			AI date	01-31	
0Ch	RPT3	HT	AI 10 hour		Alarm hour			AI hour	00-23	
0Dh	RPT2	Alarm 10 minutes			Alarm minutes			AI min	00-59	
0Eh	RPT1	Alarm 10 seconds			Alarm Seconds			AI sec	00-59	
0Fh	WDF	AF	0	BL	0	0	0	0	Flags	
10h	0	0	0	0	0	0	0	0	Reserved	
11h	0	0	0	0	0	0	0	0	Reserved	
12h	0	0	0	0	0	0	0	0	Reserved	
13h	RS3	RS2	RS1	RS0	0	0	0	0	SQW	

1. Keys:
- S = Sign bit
 - FT = Frequency Test bit
 - ST = Stop bit
 - 0 = Must be set to zero
 - BL = Battery low Flag (Read only)
 - BMB0-BMB4 = Watchdog Multiplier bits
 - CEB = Century Enable bit
 - CB = Century bit
 - OUT = Output level
 - AFE = Alarm Flag Enable Flag
 - RB0-RB1 = Watchdog Resolution bits
 - WDS = Watchdog Steering bit
 - ABE = Alarm in Battery Back-Up mode Enable bit
 - RPT1-RPT5 = Alarm Repeat mode bits
 - WDF = Watchdog Flag (Read only)
 - WDF = Watchdog Flag (Read only)
 - AF = Alarm Flag (Read only)
 - SQWE = Square Wave Enable
 - RS0-RS3 = SQW Frequency
 - HT = Halt Update bit
 - TR = t_{REC} bit

4.3 Setting Alarm clock registers

Address locations 0Ah-0Eh contain the Alarm settings. The Alarm can be configured to go off at a prescribed time on a specific month, date, hour, minute, or second, or repeat every year, month, day, hour, minute, or second. It can also be programmed to go off while the M41T94 is in the battery back-up to serve as a system wake-up call.

Bits RPT5-RPT1 put the Alarm in the Repeat mode of operation. [Table 5 on page 20](#) shows the possible configurations. Codes not listed in the table default to the once per second mode to quickly alert the user of an incorrect Alarm setting.

When the clock information matches the Alarm clock settings based on the match criteria defined by RPT5-RPT1, the AF (Alarm Flag) is set. If AFE (Alarm Flag Enable) is also set, the Alarm condition activates the $\overline{\text{IRQ}}/\text{FT}/\text{OUT}$ pin.

Note: If the address pointer is allowed to increment to the Flag register address, an Alarm condition will not cause the Interrupt/Flag to occur until the address pointer is moved to a different address. It should also be noted that if the last address written is the "Alarm Seconds," the address pointer will increment to the Flag address, causing this situation to occur.

To disable the Alarm, write '0' to the Alarm date register and to RPT1–5. The $\overline{\text{IRQ}}/\text{FT}/\text{OUT}$ output is cleared by a READ to the Flags register. This READ of the Flags register will also reset the Alarm Flag (D6; register 0Fh). See [Figure 11 on page 21](#).

The $\overline{\text{IRQ}}/\text{FT}/\text{OUT}$ pin can also be activated in the Battery Back-up mode. The $\overline{\text{IRQ}}/\text{FT}/\text{OUT}$ will go low if an Alarm occurs and both ABE (Alarm in Battery Back-up mode Enable) and AFE are set. The ABE and AFE bits are reset during power-up, therefore an Alarm generated during power-up will only set AF. The user can read the Flag register at system boot-up to determine if an Alarm was generated while the M41T94 was in the deselect mode during power-up. [Figure 12 on page 21](#) illustrates the Back-up mode Alarm timing.

Table 5. Alarm Repeat mode

RPT5	RPT4	RPT3	RPT2	RPT1	Alarm setting
1	1	1	1	1	Once per Second
1	1	1	1	0	Once per Minute
1	1	1	0	0	Once per Hour
1	1	0	0	0	Once per Day
1	0	0	0	0	Once per Month
0	0	0	0	0	Once per Year

Figure 11. Alarm interrupt reset Waveforms

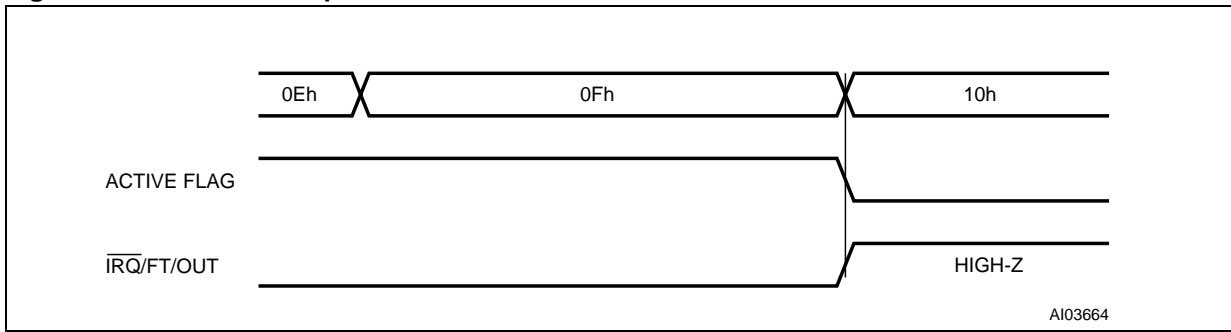
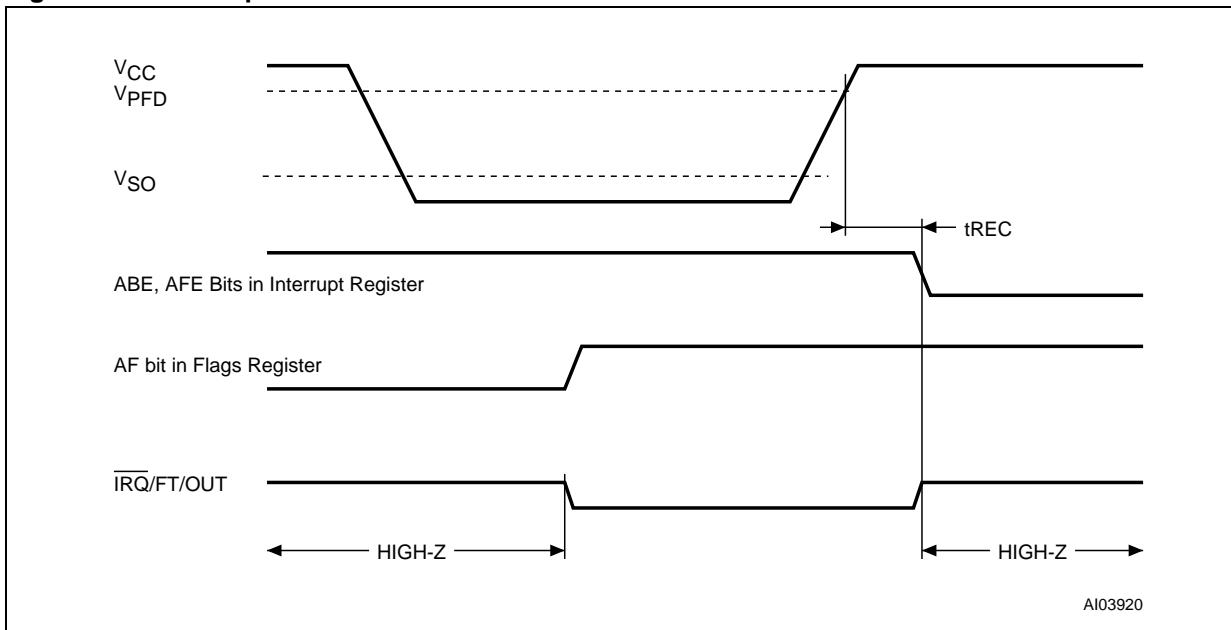


Figure 12. Back-up mode Alarm Waveforms



4.4 Watchdog timer

The watchdog timer can be used to detect an out-of-control microprocessor. The user programs the watchdog timer by setting the desired amount of time-out into the Watchdog register, address 09h. bits BMB4-BMB0 store a binary multiplier and the two lower order bits RB1-RB0 select the resolution, where 00 = $1/16$ second, 01 = $1/4$ second, 10 = 1 second, and 11 = 4 seconds. The amount of time-out is then determined to be the multiplication of the five-bit multiplier value with the resolution. (For example: writing 00001110 in the Watchdog register = 3×1 or 3 seconds).

Note: Accuracy of timer is within \pm the selected resolution.

If the processor does not reset the timer within the specified period, the M41T94 sets the WDF (Watchdog Flag) and generates a watchdog interrupt or a microprocessor reset. WDF is reset by reading the Flags register (0Fh).

The most significant bit of the Watchdog register is the Watchdog Steering bit (WDS). When set to a '0,' the watchdog will activate the $\overline{\text{IRQ/FT/OUT}}$ pin when timed-out. When WDS is set to a '1,' the watchdog will output a negative pulse on the RST pin for t_{REC} . The Watchdog register and the AFE, ABE, SQWE, and FT bits will reset to a '0' at the end of a Watchdog time-out when the WDS bit is set to a '1.'

The watchdog timer can be reset by two methods:

1. a transition (high-to-low or low-to-high) can be applied to the Watchdog Input pin (WDI), or
2. the microprocessor can perform a WRITE of the Watchdog register.

The time-out period then starts over. The WDI pin should be tied to V_{SS} if not used. In order to perform a software reset of the watchdog timer, the original time-out period can be written into the Watchdog register, effectively restarting the count-down cycle.

Should the watchdog timer time-out, and the WDS bit is programmed to output an interrupt, a value of 00h needs to be written to the Watchdog register in order to clear the $\overline{\text{IRQ/FT/OUT}}$ pin. This will also disable the watchdog function until it is again programmed correctly. A READ of the Flags register will reset the Watchdog Flag (bit D7; register 0Fh).

The watchdog function is automatically disabled upon power-up and the Watchdog register is cleared. If the watchdog function is set to output to the $\overline{\text{IRQ/FT/OUT}}$ pin and the Frequency Test (FT) function is activated, the watchdog function prevails and the Frequency Test function is denied.

4.5 Square Wave output

The M41T94 offers the user a programmable Square Wave function which is output on the SQW pin. RS3-RS0 bits located in 13h establish the Square Wave output frequency. These frequencies are listed in Table [Table 6 on page 23](#). Once the selection of the SQW frequency has been completed, the SQW pin can be turned on and off under software control with the Square Wave Enable bit (SQWE) located in register 0Ah.

Table 6. Square Wave output frequency

Square Wave bits				Square Wave	
RS3	RS2	RS1	RS0	Frequency	Units
0	0	0	0	None	–
0	0	0	1	32.768	kHz
0	0	1	0	8.192	kHz
0	0	1	1	4.096	kHz
0	1	0	0	2.048	kHz
0	1	0	1	1.024	kHz
0	1	1	0	512	Hz
0	1	1	1	256	Hz
1	0	0	0	128	Hz
1	0	0	1	64	Hz
1	0	1	0	32	Hz
1	0	1	1	16	Hz
1	1	0	0	8	Hz
1	1	0	1	4	Hz
1	1	1	0	2	Hz
1	1	1	1	1	Hz

4.6 Power-on reset

The M41T94 continuously monitors V_{CC} . When V_{CC} falls to the power fail detect trip point, the \overline{RST} pulls low (open drain) and remains low on power-up for t_{REC} after V_{CC} passes V_{PFD} (max). The \overline{RST} pin is an open drain output and an appropriate pull-up resistor should be chosen to control rise time.

4.7 Reset inputs ($\overline{RSTIN1}$ & $\overline{RSTIN2}$)

The M41T94 provides two independent inputs which can generate an output reset. The duration and function of these resets is identical to a reset generated by a power cycle. [Table 7 on page 24](#) and [Figure 13 on page 24](#) illustrate the AC reset characteristics of this function. Pulses shorter than t_{RLRH1} and t_{RLRH2} will not generate a reset condition. $\overline{RSTIN1}$ and $\overline{RSTIN2}$ are each internally pulled up to V_{CC} through a 100k Ω resistor.

Figure 13. $\overline{RSTIN1}$ and $\overline{RSTIN2}$ timing Waveforms

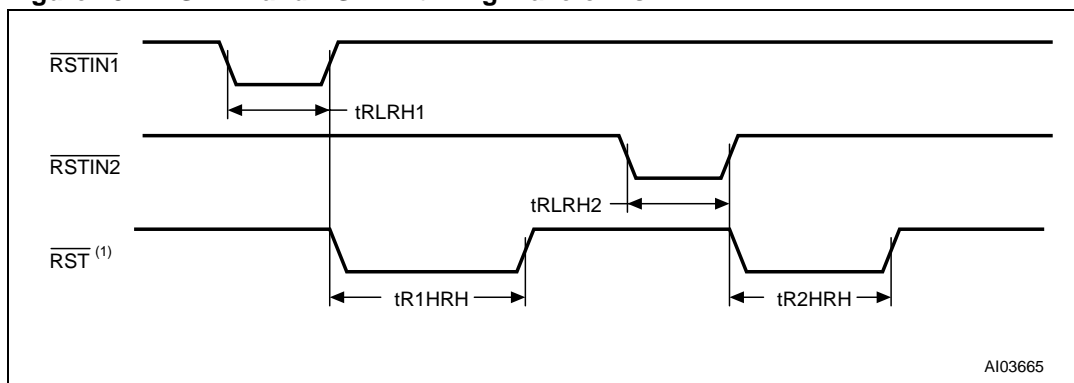


Table 7. Reset AC characteristics⁽¹⁾

Symbol	Parameter	Min	Max	Unit
$t_{RLRH1}^{(2)}$	$\overline{RSTIN1}$ low to $\overline{RSTIN1}$ high	200		ns
$t_{RLRH2}^{(3)}$	$\overline{RSTIN2}$ low to $\overline{RSTIN2}$ high	100		ms
$t_{R1HRH}^{(4)}$	$\overline{RSTIN1}$ high to \overline{RST} high	40	200	ms
$t_{R2HRH}^{(4)}$	$\overline{RSTIN2}$ high to \overline{RST} high	40	200	ms

- Valid for ambient operating temperature: $T_A = -40$ to 85°C ; $V_{CC} = 2.7$ to 5.5V (except where noted).
- Pulse width less than 50ns will result in no RESET (for noise immunity).
- Pulse width less than 20ms will result in no RESET (for noise immunity).
- Programmable (see [Table on page 28](#)).

4.8 Calibrating the clock

The M41T94 is driven by a quartz-controlled oscillator with a nominal frequency of $32,768\text{Hz}$. Uncalibrated clock accuracy will not exceed ± 35 ppm (parts per million) oscillator frequency error at 25°C , which equates to about ± 1.53 minutes per month. When the Calibration circuit is properly employed, accuracy improves to better than ± 2 ppm at 25°C .

The oscillation rate of crystals changes with temperature (see [Figure 14 on page 26](#)). Therefore, the M41T94 design employs periodic counter correction. The calibration circuit adds or subtracts counts from the oscillator divider circuit at the divide by 256 stage, as shown in [Figure 15 on page 26](#). The number of times pulses are blanked (subtracted, negative calibration) or split (added, positive calibration) depends upon the value loaded into the five Calibration bits found in the Control register. Adding counts speeds the clock up, subtracting counts slows the clock down.

The Calibration bits occupy the five lower order bits (D4-D0) in the Control register (8h). These bits can be set to represent any value between 0 and 31 in binary form. Bit D5 is a Sign bit; '1' indicates positive calibration, '0' indicates negative calibration. Calibration occurs within a 64 minute cycle. The first 62 minutes in the cycle may, once per minute, have one second either shortened by 128 or lengthened by 256 oscillator cycles. If a binary '1' is loaded into the register, only the first 2 minutes in the 64 minute cycle will be modified; if a binary 6 is loaded, the first 12 will be affected, and so on.

Therefore, each calibration step has the effect of adding 512 or subtracting 256 oscillator cycles for every 125,829,120 actual oscillator cycles, that is $+4.068$ or -2.034 ppm of

adjustment per calibration step in the calibration register. Assuming that the oscillator is running at exactly 32,768Hz, each of the 31 increments in the Calibration byte would represent +10.7 or -5.35 seconds per month which corresponds to a total range of +5.5 or -2.75 minutes per month.

Two methods are available for ascertaining how much calibration a given M41T94 may require.

The first involves setting the clock, letting it run for a month and comparing it to a known accurate reference and recording deviation over a fixed period of time. Calibration values, including the number of seconds lost or gained in a given period, can be found in Application Note AN934: TIMEKEEPER CALIBRATION. This allows the designer to give the end user the ability to calibrate the clock as the environment requires, even if the final product is packaged in a non-user serviceable enclosure. The designer could provide a simple utility that accesses the Calibration Byte.

The second approach is better suited to a manufacturing environment, and involves the use of the $\overline{\text{IRQ/FT/OUT}}$ pin. The pin will toggle at 512Hz, when the Stop bit (ST, D7 of 1h) is '0,' the Frequency Test bit (FT, D6 of 8h) is '1,' the Alarm Flag Enable bit (AFE, D7 of Ah) is '0,' and the Watchdog Steering bit (WDS, D7 of 9h) is '1' or the Watchdog register (9h = 0) is reset.

Any deviation from 512Hz indicates the degree and direction of oscillator frequency shift at the test temperature. For example, a reading of 512.010124Hz would indicate a +20 ppm oscillator frequency error, requiring a -10 (XX001010) to be loaded into the Calibration Byte for correction.

Note: Setting or changing the Calibration Byte does not affect the Frequency Test output frequency.

The $\overline{\text{IRQ/FT/OUT}}$ pin is an open drain output which requires a pull-up resistor for proper operation. A 500 to 10k Ω resistor is recommended in order to control the rise time. The FT bit is cleared on power-down.

Figure 14. Crystal accuracy across temperature

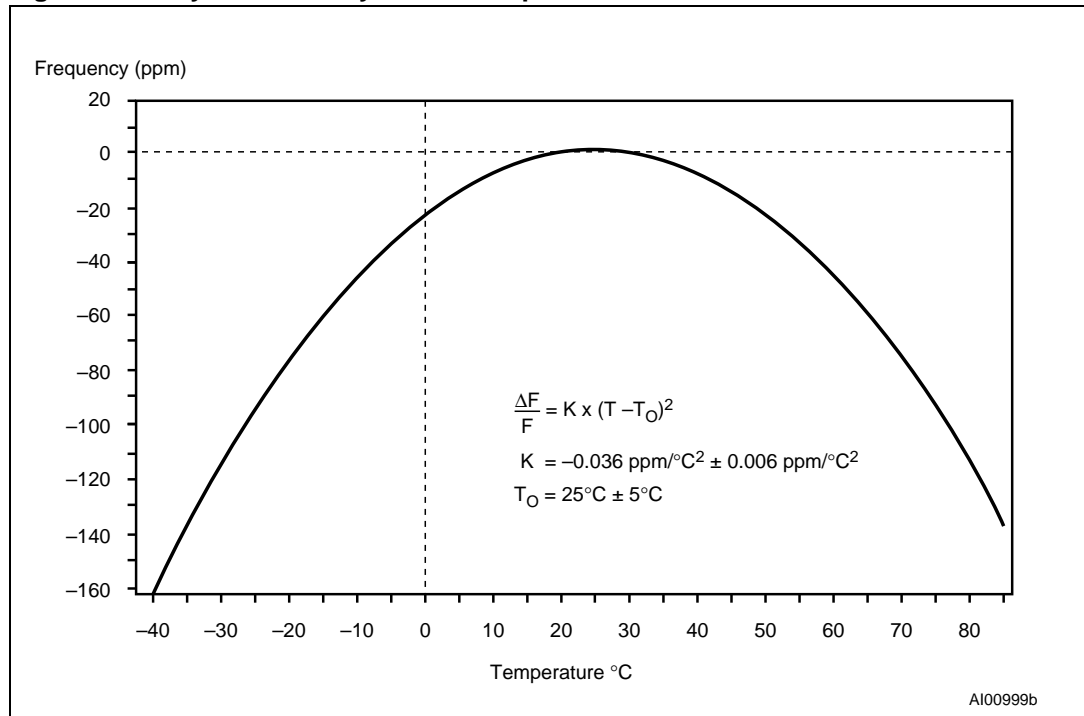
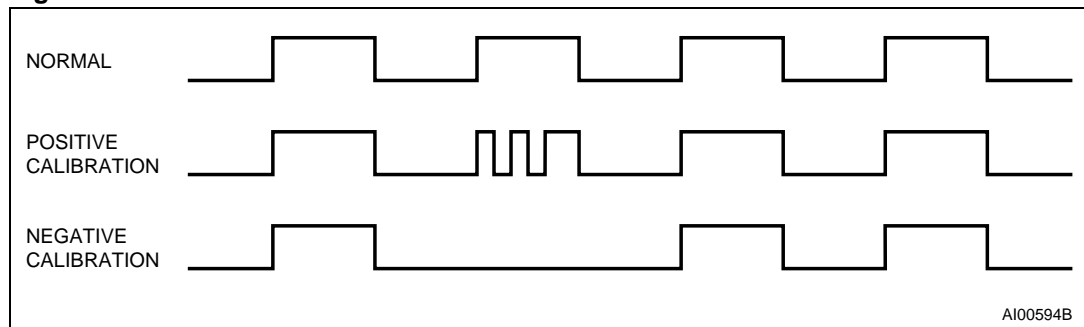


Figure 15. Calibration Waveform



4.9 Century bit

Bits D7 and D6 of clock register 03h contain the CENTURY ENABLE bit (CEB) and the CENTURY bit (CB). Setting CEB to a '1' will cause CB to toggle, either from a '0' to '1' or from '1' to '0' at the turn of the century (depending upon its initial state). If CEB is set to a '0,' CB will not toggle.

4.10 Output driver pin

When the FT bit, AFE bit and Watchdog register are not set, the $\overline{\text{IRQ/FT/OUT}}$ pin becomes an output driver that reflects the contents of D7 of the Control register. In other words, when D7 (OUT bit) and D6 (FT bit) of address location 08h are a '0,' then the $\overline{\text{IRQ/FT/OUT}}$ pin will be driven low.

Note: The $\overline{\text{IRQ/FT/OUT}}$ pin is an open drain which requires an external pull-up resistor.

4.11 Battery low warning

The M41T94 automatically performs battery voltage monitoring upon power-up and at factory-programmed time intervals of approximately 24 hours. The battery low (BL) bit, bit D4 of Flags register 0Fh, will be asserted if the battery voltage is found to be less than approximately 2.5V. The BL bit will remain asserted until completion of battery replacement and subsequent battery low monitoring tests, either during the next power-up sequence or the next scheduled 24-hour interval.

If a battery low is generated during a power-up sequence, this indicates that the battery is below approximately 2.5 volts and may not be able to maintain data integrity in the SRAM. Data should be considered suspect and verified as correct. A fresh battery should be installed.

If a battery low indication is generated during the 24-hour interval check, this indicates that the battery is near end of life. However, data is not compromised due to the fact that a nominal V_{CC} is supplied. In order to insure data integrity during subsequent periods of battery Back-up mode, the battery should be replaced. The SNAPHAT top may be replaced while V_{CC} is applied to the device.

Note: This will cause the clock to lose time during the interval the SNAPHAT battery/crystal top is disconnected.

The M41T94 only monitors the battery when a nominal V_{CC} is applied to the device. Thus applications which require extensive durations in the battery Back-up mode should be powered-up periodically (at least once every few months) in order for this technique to be beneficial. Additionally, if a battery low is indicated, data integrity should be verified upon power-up via a checksum or other technique.

4.12 t_{REC} bit

Bit D7 of clock register 04h contains the t_{REC} bit (TR). t_{REC} refers to the automatic continuation of the deselect time after V_{CC} reaches V_{PFD} . This allows for a voltage setting time before WRITES may again be performed to the device after a power-down condition. The t_{REC} bit will allow the user to set the length of this deselect time as defined by [Table on page 28](#).

4.13 Initial power-on defaults

Upon initial application of power to the device, the following register bits are set to a '0' state: Watchdog register, TR, FT, AFE, ABE, and SQWE. The following bits are set to a '1' state: ST, OUT, and HT (see [Table 9: Default values](#)).

Table 8. t_{REC} definitions

t_{REC} bit (TR)	STOP bit (ST)	t_{REC} time		Units
		Min	Max	
0	0	96	98	ms
0	1	40	200 ⁽¹⁾	ms
1	X	50	2000	μ s

1. Default Setting

Table 9. Default values

Condition	TR	ST	HT	Out	FT	AFE	ABE	SQWE	WATCHDOG register ⁽¹⁾
Initial power-up (battery attach for SNAPHAT) ⁽²⁾	0	1	1	1	0	0	0	0	0
Subsequent power-up (with battery back-up) ⁽³⁾	UC	UC	1	UC	0	0	0	0	0

1. BMB0-BMB4, RB0, RB1.

2. State of other Control bits undefined.

3. UC = Unchanged

5 Maximum rating

Stressing the device above the rating listed in the “Absolute maximum ratings” table may cause permanent damage to the device. These are stress ratings only and operation of the device at these or any other conditions above those indicated in the Operating sections of this specification is not implied. Exposure to absolute maximum rating conditions for extended periods may affect device reliability. Refer also to the STMicroelectronics SURE Program and other relevant quality documents.

Table 10. Absolute maximum ratings

Symbol	Parameter	Value	Unit	
T _{STG}	Storage temperature (V _{CC} off, oscillator off)	SNAPHAT	–40 to 85	°C
		SOIC	–55 to 125	°C
V _{CC}	Supply voltage	–0.3 to 7	V	
T _{SLD} ⁽¹⁾⁽²⁾	Lead solder temperature for 10 seconds	260	°C	
V _{IO}	Input or output Voltage	–0.3 to V _{CC} +0.3	V	
I _O	Output current	20	mA	
P _D	Power dissipation	1	W	

1. For SO package, standard (SnPb) lead finish: Reflow at peak temperature of 225°C (total thermal budget not to exceed 180°C for between 90 to 150 seconds).
2. For SO package, Lead-free (Pb-free) lead finish: Reflow at peak temperature of 260°C (total thermal budget not to exceed 245°C for greater than 30 seconds).

Caution: *Negative undershoots below –0.3V are not allowed on any pin while in the Battery Back-up mode.*

Caution: *Do NOT wave solder SOIC to avoid damaging SNAPHAT sockets.*

6 DC and AC parameters

This section summarizes the operating and measurement conditions, as well as the DC and AC characteristics of the device. The parameters in the following DC and AC characteristic tables are derived from tests performed under the Measurement Conditions listed in the relevant tables. Designers should check that the operating conditions in their projects match the measurement conditions when using the quoted parameters.

Table 11. DC and AC measurement conditions⁽¹⁾

Parameter	M41T94
V _{CC} supply voltage	2.7 to 5.5V
Ambient operating temperature	-40 to 85°C
Load capacitance (C _L)	100pF
Input rise and fall times	≤50ns
Input pulse voltages	0.2 to 0.8V _{CC}
Input and output timing ref. voltages	0.3 to 0.7V _{CC}

1. Output Hi-Z is defined as the point where data is no longer driven.

Figure 16. AC Testing input/output Waveforms

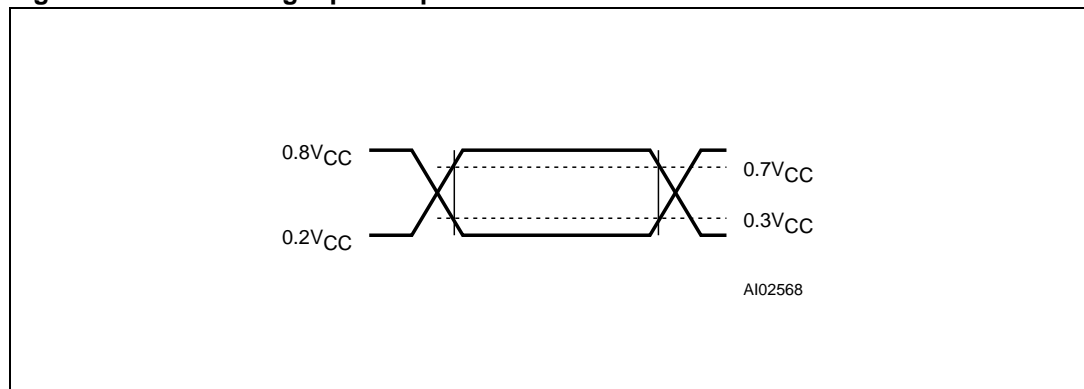


Table 12. Capacitance

Symbol	Parameter ⁽¹⁾⁽²⁾	Min	Max	Unit
C _{IN}	Input capacitance		7	pF
C _{OUT} ⁽³⁾	Output capacitance		10	pF
t _{LP}	Low-pass filter input time constant (SDA and SCL)		50	ns

1. Effective capacitance measured with power supply at 5V; sampled only, not 100% tested.
2. At 25°C, f = 1MHz.
3. Outputs are deselected.

Table 13. DC characteristics

Symbol	Parameter	Test condition ⁽¹⁾	Min	Typ	Max	Unit
I _{BAT}	Battery current OSC on	T _A = 25°C, V _{CC} = 0V, V _{BAT} = 3V		400	500	nA
	Battery current OSC off			50		nA
I _{CC1}	Supply current	f = 2 MHz			2	mA
I _{CC2}	Supply current (standby)	SCL, SDI = V _{CC} - 0.3V			1.4	mA
I _{LI} ⁽²⁾	Input leakage current	0V ≤ V _{IN} ≤ V _{CC}			±1	μA
I _{LO} ⁽³⁾	Output leakage current	0V ≤ V _{OUT} ≤ V _{CC}			±1	μA
V _{IH}	Input high voltage		0.7V _{CC}		V _{CC} + 0.3	V
V _{IL}	Input low voltage		-0.3		0.3V _{CC}	V
V _{BAT}	Battery voltage		2.5		3.5 ⁽⁴⁾	V
V _{OH}	Output high voltage ⁽⁵⁾	I _{OH} = -1.0mA	2.4			V
V _{OL}	Output low voltage ⁽⁵⁾	I _{OL} = 3.0mA			0.4	V
	Output low voltage (open drain) ⁽⁶⁾	I _{OL} = 10mA			0.4	
	Pull-up supply voltage (open drain)	\overline{RST} , $\overline{IRQ/FT/OUT}$			5.5	V
V _{PFD}	Power fail deselect (THS = V _{CC})		4.20	4.40	4.50	V
	Power fail deselect (THS = V _{SS})		2.55	2.60	2.70	
V _{SO}	Battery back-up switchover			2.5		V

- Valid for ambient operating temperature: T_A = -40 to 85°C; V_{CC} = 2.7 to 5.5V (except where noted).
- $\overline{RSTIN1}$ and $\overline{RSTIN2}$ internally pulled-up to V_{CC} through 100KΩ resistor. WDI internally pulled-down to V_{SS} through 100KΩ resistor.
- Outputs deselected.
- For rechargeable back-up, V_{BAT} (max) may be considered V_{CC}.
- For SQW pin (CMOS).
- For $\overline{IRQ/FT/OUT}$, \overline{RST} pins (open drain): if pulled-up to supply other than V_{CC}, this supply must be equal to, or less than 3.0V when V_{CC} = 0V (during battery back-up mode).

Table 14. Crystal electrical characteristics (externally supplied)

Symbol	Parameter ⁽¹⁾⁽²⁾	Typ	Min	Max	Unit
f ₀	Resonant frequency	32.768			kHz
R _S	Series resistance			50	kΩ
C _L	Load capacitance	12.5			pF

- Load capacitors are integrated within the M41T94. Circuit board layout considerations for the 32.768 kHz crystal of minimum trace lengths and isolation from RF generating signals should be taken into account. These characteristics are externally supplied.
- STMicroelectronics recommends the KDS DT-38: 1TA/1TC252E127, Tuning Fork Type (thru-hole) or the DMX-26S: 1TJS125FH2A212, (SMD) quartz crystal for industrial temperature operations. KDS can be contacted at kouhou@kdsj.co.jp or http://www.kdsj.co.jp for further information on this crystal type.

Figure 17. Power down/up mode AC Waveforms

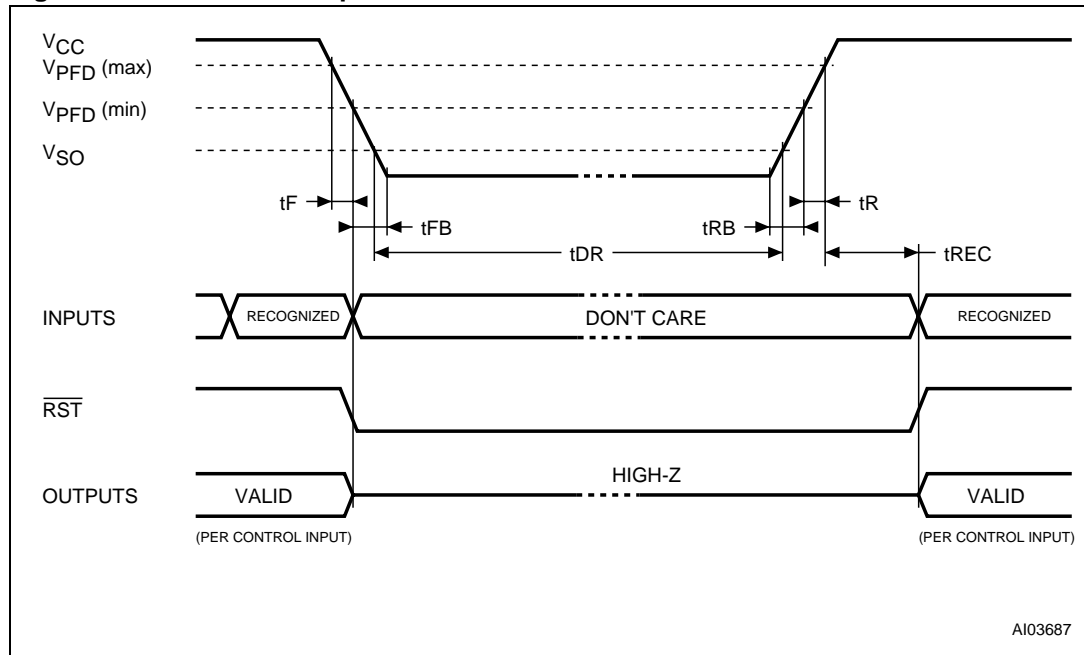


Table 15. Power Down/Up AC Characteristics

Symbol	Parameter ⁽¹⁾	Min	Typ	Max	Unit
t _F ⁽²⁾	V _{PFD} (max) to V _{PFD} (min) V _{CC} fall time	300			µs
t _{FB} ⁽³⁾	V _{PFD} (min) to V _{SS} V _{CC} fall time	10			µs
t _R	V _{PFD} (min) to V _{PFD} (max) V _{CC} rise time	10			µs
t _{RB}	V _{SS} to V _{PFD} (min) V _{CC} rise time	1			µs
t _{REC} ⁽⁴⁾	Power up deselect time	40		200	ms
t _{DR}	Expected data retention time	10 ⁽⁵⁾			YEARS

- Valid for ambient operating temperature: T_A = -40 to 85°C; V_{CC} = 2.7 to 5.5V (except where noted).
- V_{PFD} (max) to V_{PFD} (min) fall time of less than t_F may result in deselection/write protection not occurring until 200µs after V_{CC} passes V_{PFD} (min).
- V_{PFD} (min) to V_{SS} fall time of less than t_{FB} may cause corruption of RAM data.
- Programmable (see Table 8 on page 28).
- At 25°C, V_{CC} = 0V (when using SOH28 + M4T28-BR12SH SNAPHAT top).

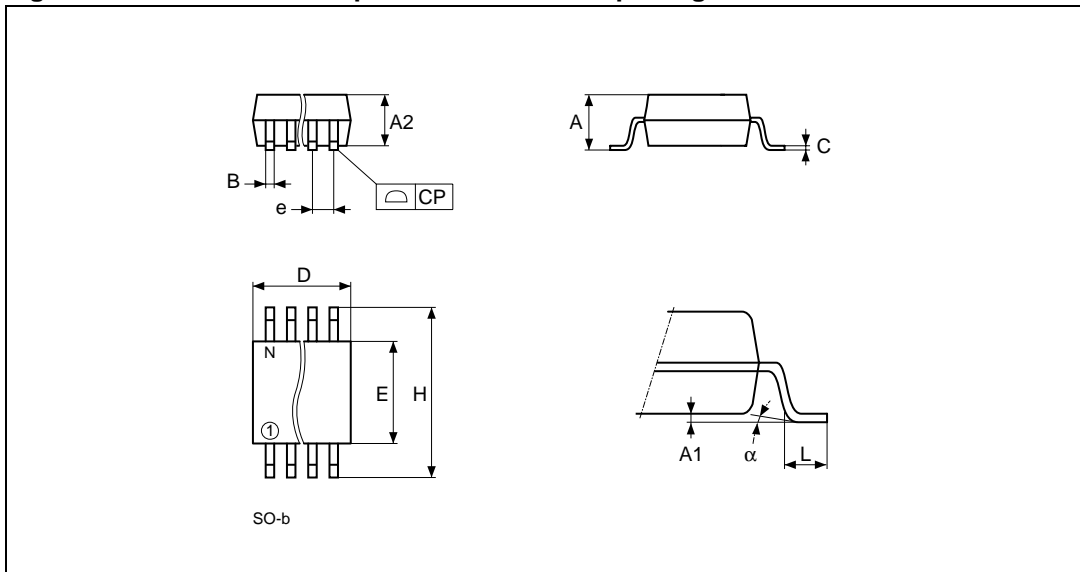
7 Package mechanical information

In order to meet environmental requirements, ST offers these devices in ECOPACK® packages. These packages have a Lead-free second level interconnect . The category of second Level Interconnect is marked on the package and on the inner box label, in compliance with JEDEC Standard JESD97.

The maximum ratings related to soldering conditions are also marked on the inner box label.

ECOPACK is an ST trademark. ECOPACK specifications are available at: www.st.com.

Figure 18. SO16 – 16-lead plastic small outline package outline

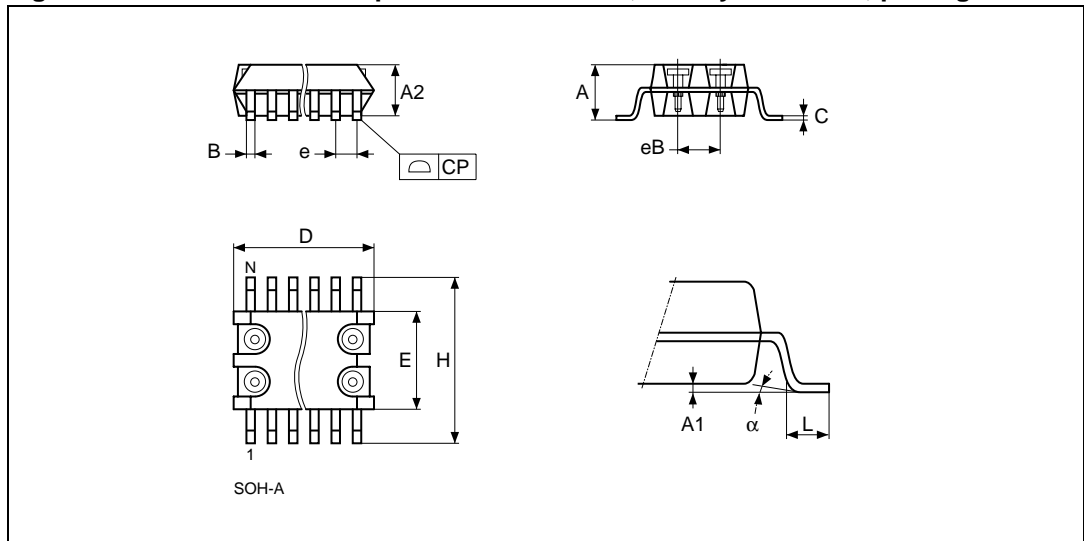


1. Drawing is not to scale.

Table 16. SO16 – 16-lead Plastic small outline package mechanical data

Symbol	millimeters			inches		
	Typ	Min	Max	Typ	Min	Max
A			1.75			0.069
A1		0.10	0.25		0.004	0.010
A2			1.60			0.063
α		0°	8°		0°	8°
B		0.35	0.46		0.014	0.018
C		0.19	0.25		0.007	0.010
CP			0.10			0.004
D		9.80	10.00		0.386	0.394
e	1.27	–	–	0.050	–	–
E		3.80	4.00		0.150	0.157
L		0.40	1.27		0.016	0.050
N	16			16		

Figure 19. SOH28 – 28-lead plastic small outline, battery SNAPHAT, package outline

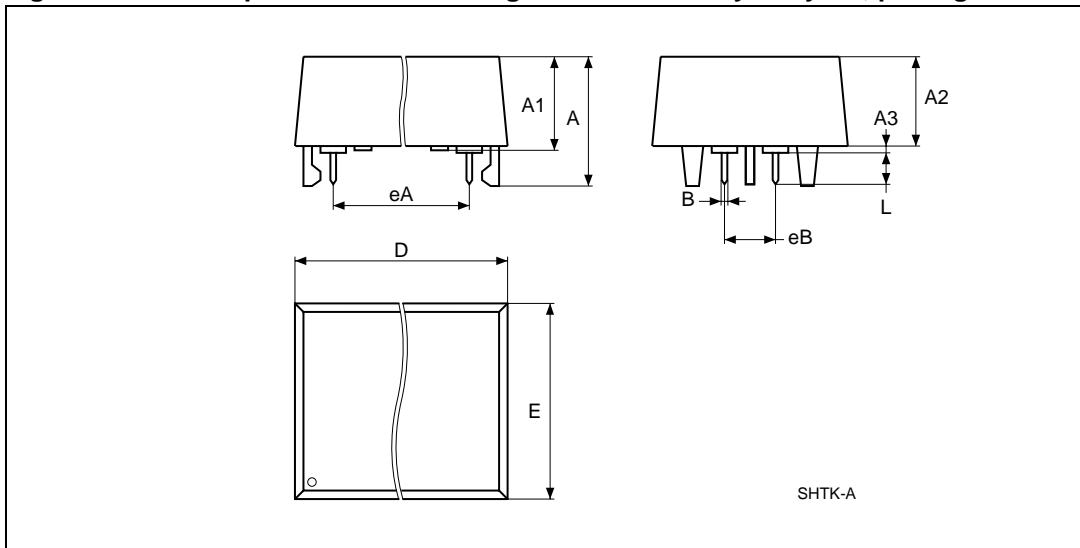


1. Drawing is not to scale.

Table 17. SOH28 – 28-lead plastic small outline, battery SNAPHAT, package mechanical data

Symbol	millimeters			inches		
	Typ	Min	Max	Typ	Min	Max
A	–	–	3.05	–	–	0.120
A1	–	0.05	0.36	–	0.002	0.014
A2	–	2.34	2.69	–	0.092	0.106
B	–	0.36	0.51	–	0.014	0.020
C	–	0.15	0.32	–	0.006	0.012
D	–	17.71	18.49	–	0.697	0.728
E	–	8.23	8.89	–	0.324	0.350
e	1.27	–	–	0.050	–	–
eB	–	3.20	3.61	–	0.126	0.142
H	–	11.51	12.70	–	0.453	0.500
L	–	0.41	1.27	–	0.016	0.050
α	–	0°	8°	–	0°	8°
N	28			28		
CP	–	–	0.10	–	–	0.004

Figure 20. SH – 4-pin SNAPHAT housing for 48mAh battery & crystal, package outline

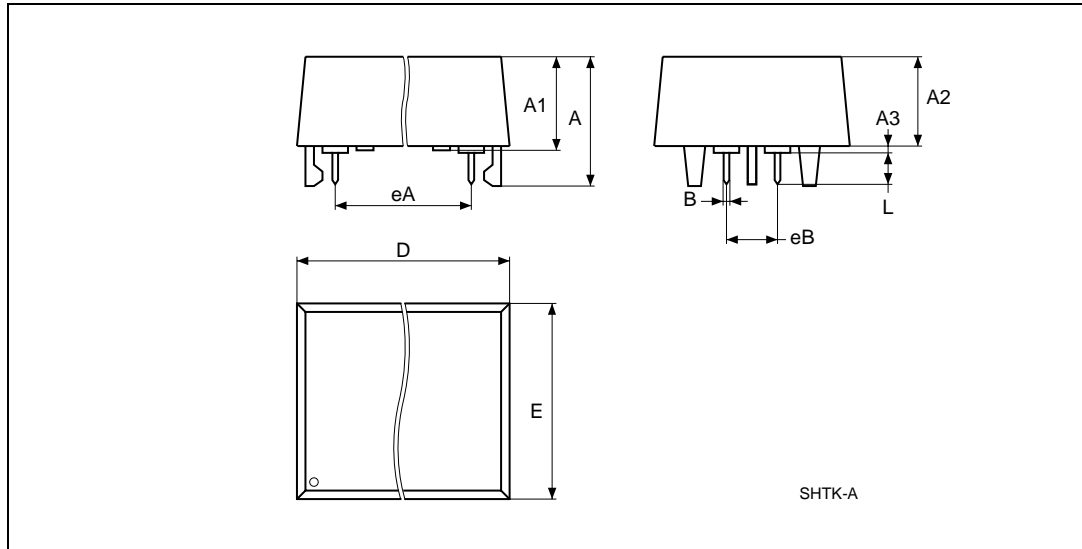


1. Drawing is not to scale.

Table 18. SH – 4-pin SNAPHAT housing for 48mAh battery & crystal, package mechanical data

Symbol	millimeters			inches		
	Typ	Min	Max	Typ	Min	Max
A	–	–	9.78	–	–	0.385
A1	–	6.73	7.24	–	0.265	0.285
A2	–	6.48	6.99	–	0.255	0.275
A3	–	–	0.38	–	–	0.015
B	–	0.46	0.56	–	0.018	0.022
D	–	21.21	21.84	–	0.835	0.8560
E	–	14.22	14.99	–	0.556	0.590
eA	–	15.55	15.95	–	0.612	0.628
eB	–	3.20	3.61	–	0.126	0.142
L	–	2.03	2.29	–	0.080	0.090

Figure 21. SH – 4-pin SNAPHAT housing for 120mAh battery & crystal, package outline



1. Drawing is not to scale.

Table 19. SH – 4-pin SNAPHAT housing for 120mAh battery & crystal, package mech. data

Symbol	millimeters			inches		
	Typ	Min	Max	Typ	Min	Max
A	–	–	10.54	–	–	0.415
A1	–	8.00	8.51	–	0.315	0.335
A2	–	7.24	8.00	–	0.285	0.315
A3	–	–	0.38	–	–	0.015
B	–	0.46	0.56	–	0.018	0.022
D	–	21.21	21.84	–	0.835	0.860
E	–	17.27	18.03	–	0.680	0.710
eA	–	15.55	15.95	–	0.612	0.628
eB	–	3.20	3.61	–	0.126	0.142
L	–	2.03	2.29	–	0.080	0.090

8 Part numbering

Table 20. Ordering information scheme

Example:	M41T	94	MH	6	E
Device type					
M41T					
Supply voltage and write protect voltage					
94 = $V_{CC} = 2.7$ to $5.5V$					
THS = V_{CC} ; $4.20V \leq V_{PFD} \leq 4.50V$					
THS = V_{SS} ; $2.55V \leq V_{PFD} \leq 2.70V$					
Package					
MQ = SO16					
MH ⁽¹⁾ = SOH28					
Temperature range					
6 = -40 to $85^{\circ}C$					
Shipping method					

For SO16:
 blank = tubes (not for new design - use E)
 E = Lead-free package (ECOPACK[®]), tubes
 F = Lead-free package (ECOPACK[®]), Tape & Reel
 TR = Tape & Reel (not for new design - use F)

For SOH28:
 blank = tubes (not for new design - use E)
 E = Lead-free package (ECOPACK[®]), tubes
 F = Lead-free Package (ECOPACK[®]), Tape & Reel
 TR = Tape & Reel (not for new design - use F)

1. The 28-pin SOIC package (SOH28) requires the SNAPHAT[®] battery/crystal package which is ordered separately under the part number "M4TXX-BR12SHX" in plastic tube or "M4TXX-BR12SHXTR" in Tape & Reel form (see Table [Table 21 on page 38](#)).

Caution: Do not place the SNAPHAT battery package "M4TXX-BR12SH" in conductive foam as it will drain the lithium button-cell battery.

For other options, or for more information on any aspect of this device, please contact the ST Sales Office nearest you.

Table 21. SNAPHAT Battery Table

Part number	Description	Package
M4T28-BR12SH	Lithium battery (48mAh) and crystal SNAPHAT	SH
M4T32-BR12SH	Lithium battery (120mAh) and crystal SNAPHAT	SH

9 Revision history

Table 22. Document Revision History

Date	Version	Revision Details
April 2002	1.0	First edition
25-Apr-02	1.1	Adjust graphic (Figure 4 on page 9); fix table text (Table 10 on page 29 , Table 20 on page 38); adjust characteristics (Table 13 on page 31 , Table 14 on page 31)
03-Jul-02	1.2	Modify DC, Crystal Electrical Characteristics footnotes, Default Value table (Table 13 on page 31 , Table 14 on page 31 , Table 9 on page 28)
06-Nov-02	1.3	Correct dimensions (Table 19 on page 37)
26-Mar-03	1.4	Update test condition (Table 15 on page 32)
28-Apr-03	2.0	New Si changes (Figure 4 on page 9 ; Table 15 on page 32 , Table 7 on page 24 , Table 8 on page 28 , Table 9 on page 28)
15-Jun-04	3.0	Reformatted; added Lead-free information; update characteristics (Figure 14 on page 26 ; Table 10 on page 29 , Table 13 on page 31 , Table 20 on page 38)
29-Aug-2006	4	Changed document to new template; amalgamated diagrams in Feature summary on page 1 ; updated Package mechanical data in Section 7: Package mechanical information ; small text changes for entire document, ECOPACK compliant

Please Read Carefully:

Information in this document is provided solely in connection with ST products. STMicroelectronics NV and its subsidiaries ("ST") reserve the right to make changes, corrections, modifications or improvements, to this document, and the products and services described herein at any time, without notice.

All ST products are sold pursuant to ST's terms and conditions of sale.

Purchasers are solely responsible for the choice, selection and use of the ST products and services described herein, and ST assumes no liability whatsoever relating to the choice, selection or use of the ST products and services described herein.

No license, express or implied, by estoppel or otherwise, to any intellectual property rights is granted under this document. If any part of this document refers to any third party products or services it shall not be deemed a license grant by ST for the use of such third party products or services, or any intellectual property contained therein or considered as a warranty covering the use in any manner whatsoever of such third party products or services or any intellectual property contained therein.

UNLESS OTHERWISE SET FORTH IN ST'S TERMS AND CONDITIONS OF SALE ST DISCLAIMS ANY EXPRESS OR IMPLIED WARRANTY WITH RESPECT TO THE USE AND/OR SALE OF ST PRODUCTS INCLUDING WITHOUT LIMITATION IMPLIED WARRANTIES OF MERCHANTABILITY, FITNESS FOR A PARTICULAR PURPOSE (AND THEIR EQUIVALENTS UNDER THE LAWS OF ANY JURISDICTION), OR INFRINGEMENT OF ANY PATENT, COPYRIGHT OR OTHER INTELLECTUAL PROPERTY RIGHT.

UNLESS EXPRESSLY APPROVED IN WRITING BY AN AUTHORIZED ST REPRESENTATIVE, ST PRODUCTS ARE NOT RECOMMENDED, AUTHORIZED OR WARRANTED FOR USE IN MILITARY, AIR CRAFT, SPACE, LIFE SAVING, OR LIFE SUSTAINING APPLICATIONS, NOR IN PRODUCTS OR SYSTEMS WHERE FAILURE OR MALFUNCTION MAY RESULT IN PERSONAL INJURY, DEATH, OR SEVERE PROPERTY OR ENVIRONMENTAL DAMAGE. ST PRODUCTS WHICH ARE NOT SPECIFIED AS "AUTOMOTIVE GRADE" MAY ONLY BE USED IN AUTOMOTIVE APPLICATIONS AT USER'S OWN RISK.

Resale of ST products with provisions different from the statements and/or technical features set forth in this document shall immediately void any warranty granted by ST for the ST product or service described herein and shall not create or extend in any manner whatsoever, any liability of ST.

ST and the ST logo are trademarks or registered trademarks of ST in various countries.

Information in this document supersedes and replaces all information previously supplied.

The ST logo is a registered trademark of STMicroelectronics. All other names are the property of their respective owners.

© 2006 STMicroelectronics - All rights reserved

STMicroelectronics group of companies

Australia - Belgium - Brazil - Canada - China - Czech Republic - Finland - France - Germany - Hong Kong - India - Israel - Italy - Japan - Malaysia - Malta - Morocco - Singapore - Spain - Sweden - Switzerland - United Kingdom - United States of America

www.st.com