

Distributed by:

**JAMECO**<sup>®</sup>  
ELECTRONICS

**www.Jameco.com** ♦ **1-800-831-4242**

The content and copyrights of the attached material are the property of its owner.

## Features

- \* LOW CURRENT REQUIREMENTS
- \* HIGH LIGHT OUTPUT
- \* RELIABLE AND RUGGED
- \* IC COMPATIBLE

## Absolute Maximum Ratings at $T_A=25^\circ\text{C}$

REVERSE VOLTAGE (<math>100\mu\text{A}</math>)	GaAsP RED 3.0 V , OTHER 5.0V
D.C. FORWARD CURRENT	30mA
PULSE CURRENT (1/10 DUTY CYCLE, 0.1 ms PULSE WIDTH)	100 mA
OPERATING TEMPERATURE RANGE	-25°C TO +85°C
STORAGE TEMPERATURE RANGE	-25°C TO +100°C
LEAD SOLDERING TEMP. (1.6mm FROM BODY)	260°C FOR 5 SEC

## Electrical/optical characteristics at $T_A=25^\circ\text{C}$

PART NUMBER	LED CHIP	LED CHIP		LENS COLOR		PEAK WAVELENGTH @20 mA (nm)	FORWARD VOLTAGE @20mA(V)		LUMINOUS INTENSITY @20mA(mcd)		VIEW ANGLE $2\theta_{1/2}$ (deg)
		MATERIAL	EMITTING COLOR				TYP.	MAX.	MIN.	TYP.	
UT1811-81	UT1812-81	GaP	RED	R.D	W.D	700	2.1	2.6	2.5	4.1	44
UT1821-81	UT1822-81	GaP	GREEN	G.D	W.D	572	2.1	2.6	12.0	20.0	44
UT1831-81	UT1832-81	GaAsP	YELLOW	Y.D	W.D	589	2.1	2.6	9.8	16.4	44
UT1841-81	UT1842-81	GaAsP	ORANGE	O.D	W.D	630	2.1	2.6	13.9	23.1	44
UT1841R-81		GaAsP	HI-EFF RED	R.D		630	2.1	2.6	13.9	23.1	44
UT1813-81	UT1814-81	GaP	RED	W.C	R.C	700	2.1	2.6	8.4	14.0	22
UT1823-81	UT1824-81	GaP	GREEN	W.C	G.C	572	2.1	2.6	40.9	68.1	22
UT1833-81	UT1834-81	GaAsP	YELLOW	W.C	Y.C	589	2.1	2.6	33.5	55.8	22
UT1843-81	UT1844-81	GaAsP	ORANGE	W.C	O.C	630	2.1	2.6	47.3	78.8	22
	UT1844R-81	GaAsP	HI-EFF RED		R.C	630	2.1	2.6	47.3	78.8	22

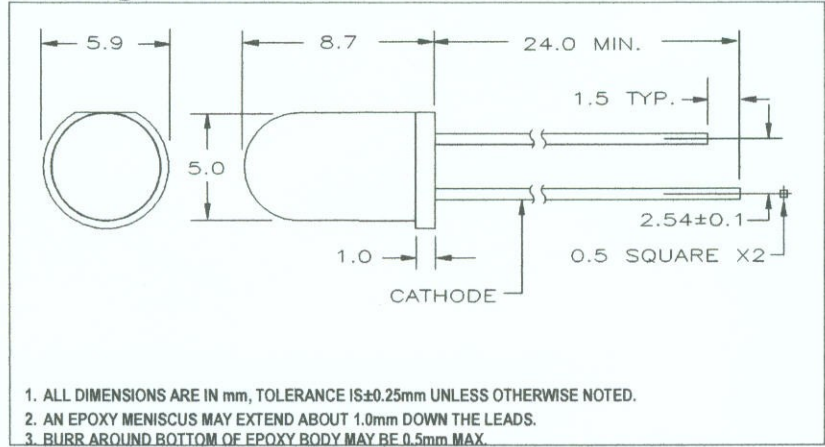
(1) LENS COLOR

- R.D.....RED DIFFUSED
- G.D.....GREEN DIFFUSED
- Y.D.....YELLOW DIFFUSED
- O.D.....ORANGE DIFFUSED
- W.D.....WHITE DIFFUSED
- R.C.....RED CLEAR
- G.C.....GREEN CLEAR
- Y.C.....YELLOW CLEAR
- O.C.....ORANGE CLEAR
- W.C.....WATER CLEAR

(2) SPECIFICATIONS ARE SUBJECT TO CHANGE WITHOUT NOTICE.

(3) ALL ABOVE COMPONENTS ARE CONSIDERED . DEVIATIONS FROM STATED SPECIFICATIONS WILL REQUIRE A NEW PART NUMBER BE ASSIGNED .

## Package Dimensions



## Radiation Pattern

