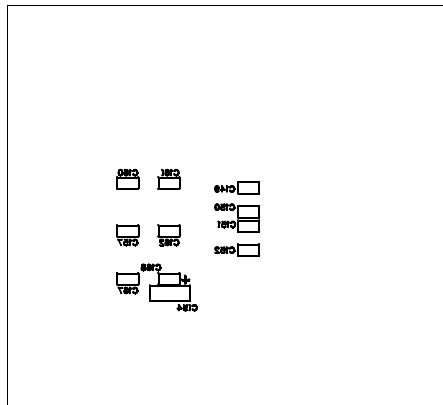
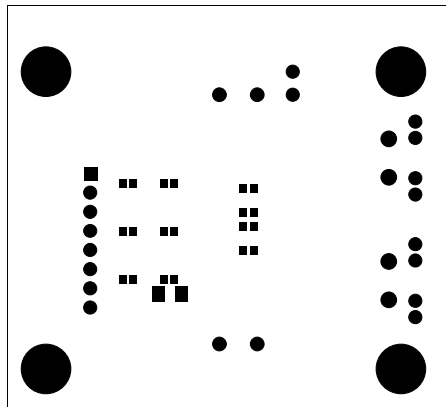


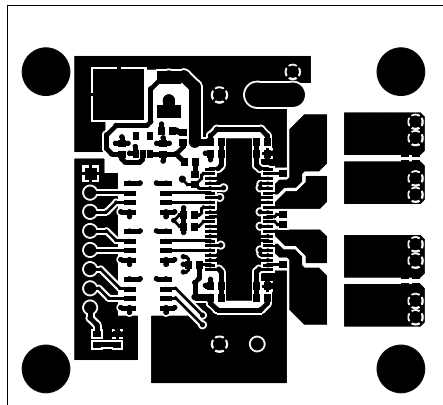
Bottom Copper Layer



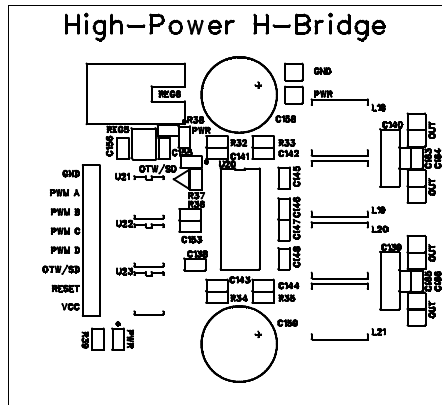
Bottom Silkscreen



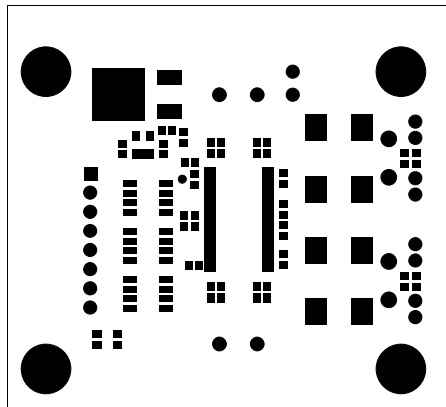
Bottom Solder Mask



Top Copper Layer



Top Silkscreen



Top Solder Mask

