

6

5

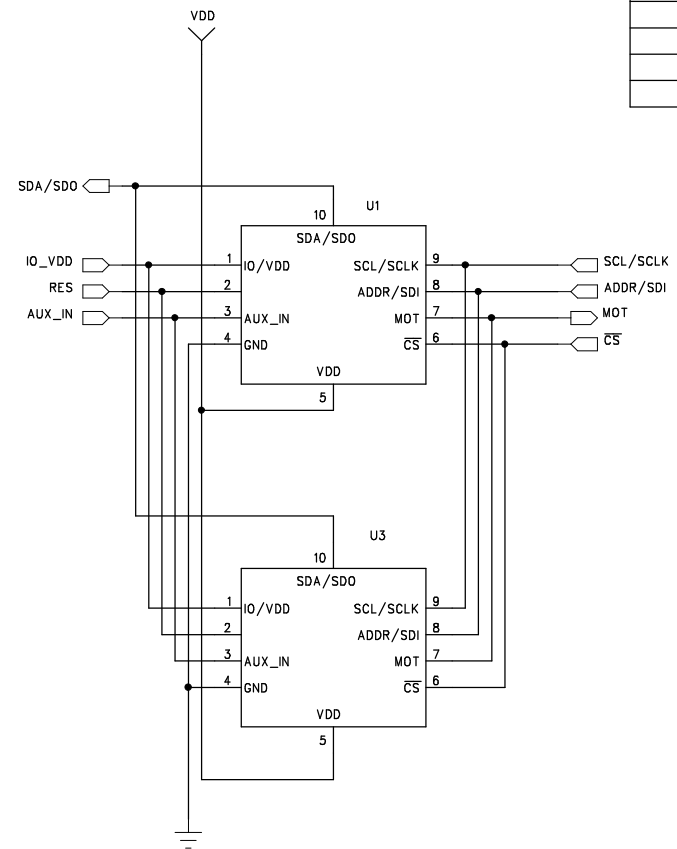
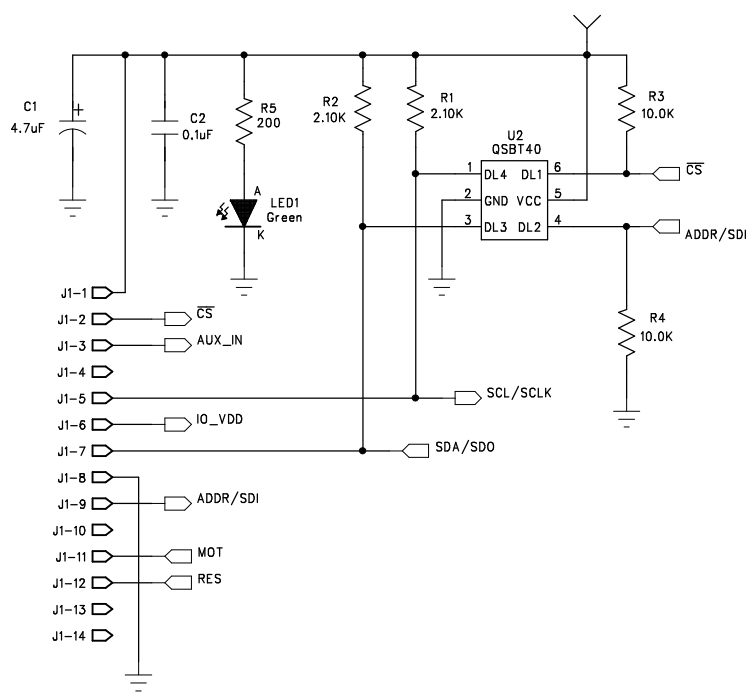
4

3

2

1

REVISION RECORD			
LTR	ECO NO:	APPROVED:	DATE:



COMPANY: Kionix, Inc.

TITLE: KX__9 Evaluation Board

DRAWN: Bob Ross	DATED: 5/23/08
CHECKED:	DATED:
QUALITY CONTROL:	DATED:
RELEASED:	DATED:

CODE:	SIZE: B	DRAWING NO: KAMMDM001R26	REV: 0
SCALE:		SHEET: 1 OF 1	

D

D

C

C

B

B

A

A