

SIZE	FSCM NO.	DWG NO.	REV
SCALE		Moderator	

1

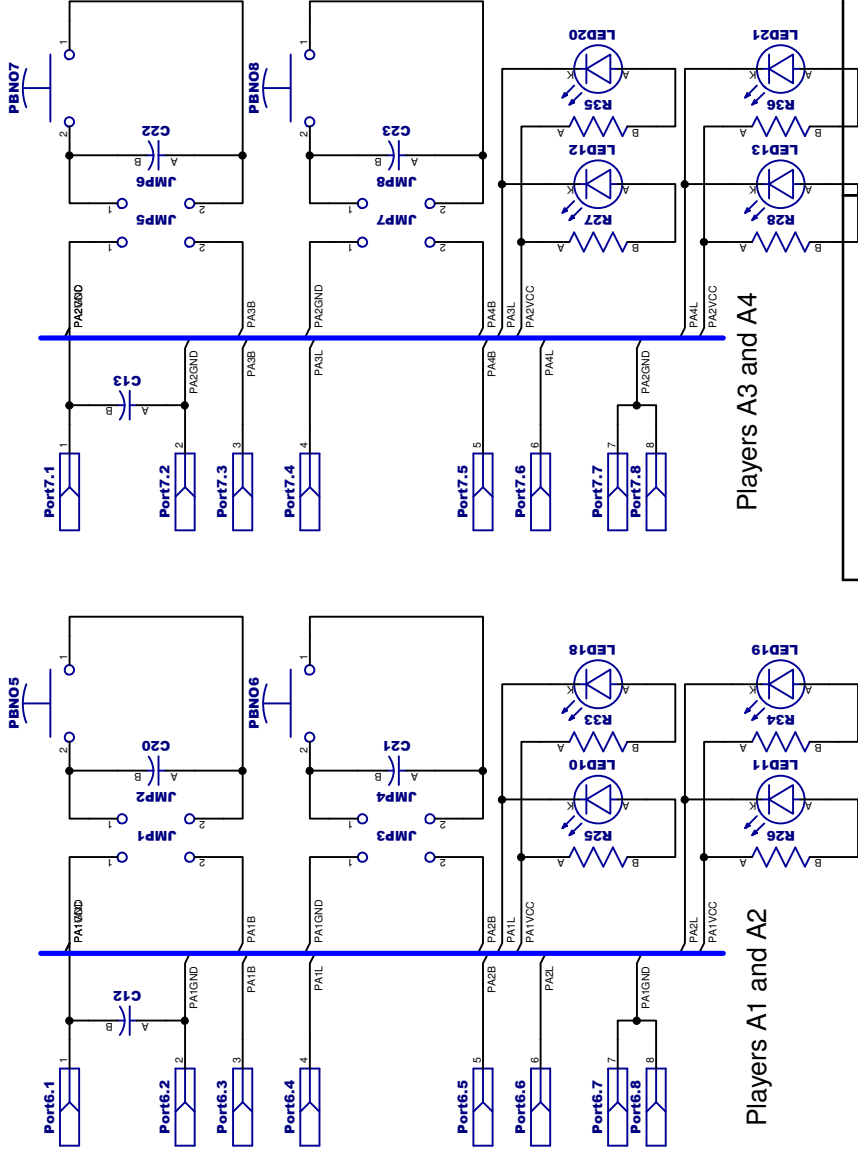
REVISIONS
DESCRIPTION

ZONE REV

DATE

APPROVED

2



Players A3 and A4

Players A1 and A2

A

Moderator and Player Units

Team A Player Units

SIZE	FSCM NO.	DWG NO.	REV
SCALE		Team A Players	

1

B

B

2

A

1

REVISIONS

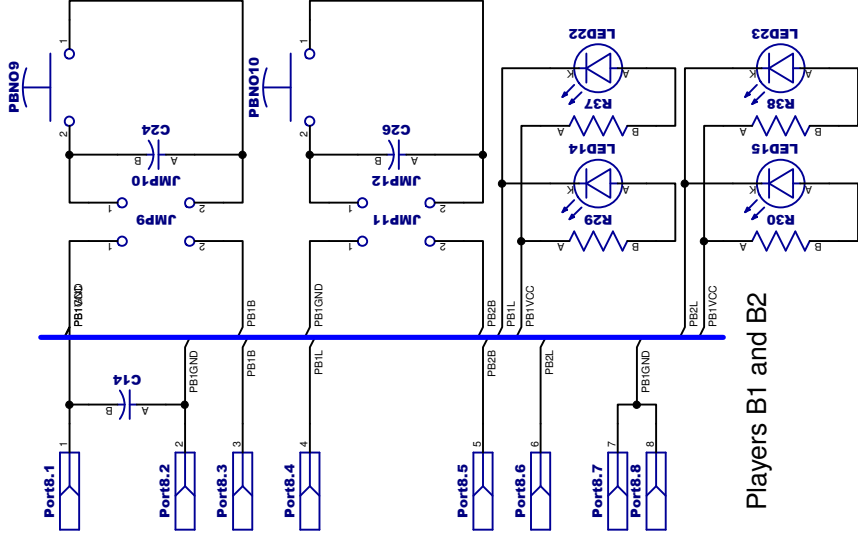
DESCRIPTION

ZONE REV

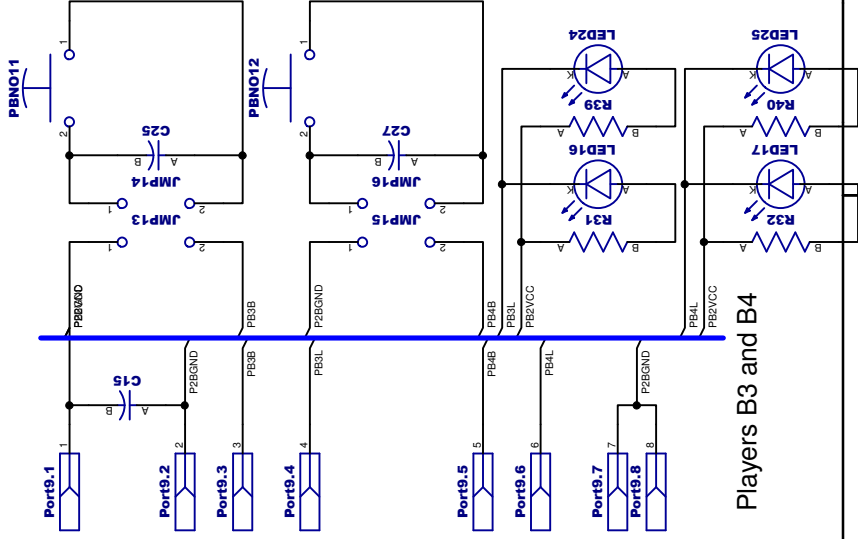
DATE

APPROVED

2



Players B1 and B2



Players B3 and B4

B

A

Moderator and Player Units

Team B Player Units

SIZE FSCM NO.

DWG NO.

REV

SCALE

Team B Players

1

B

A

2

REVISIONS

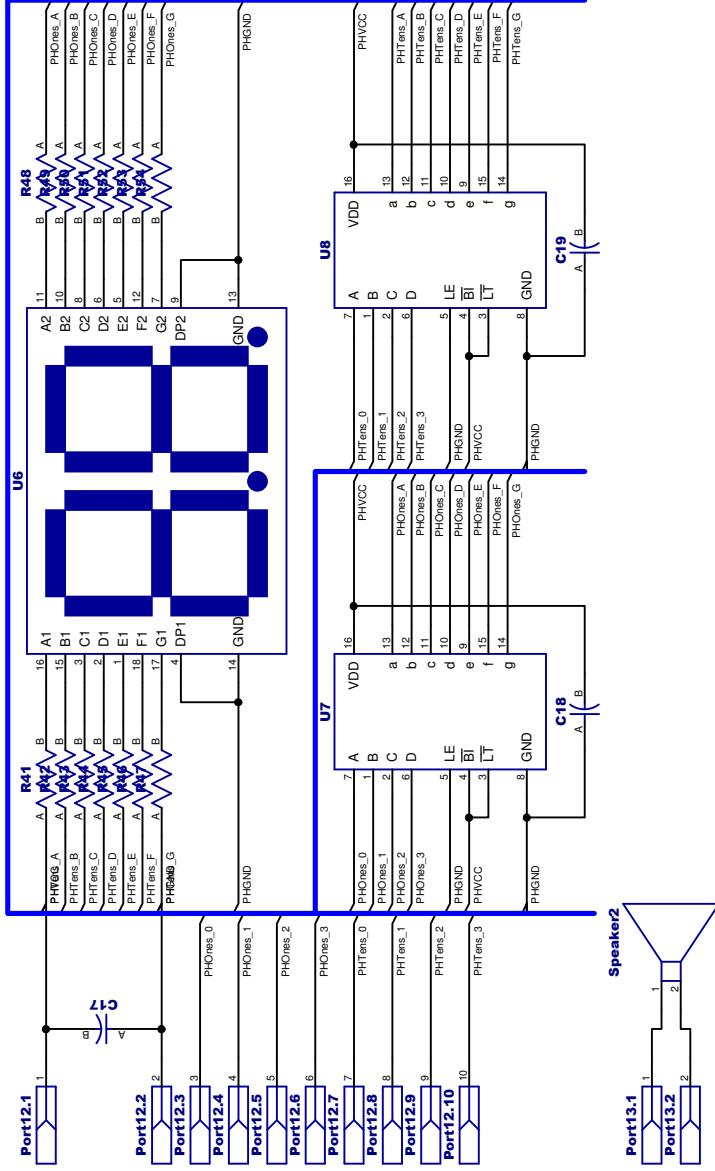
APPROVED

DATE

DESCRIPTION

REV

ZONE

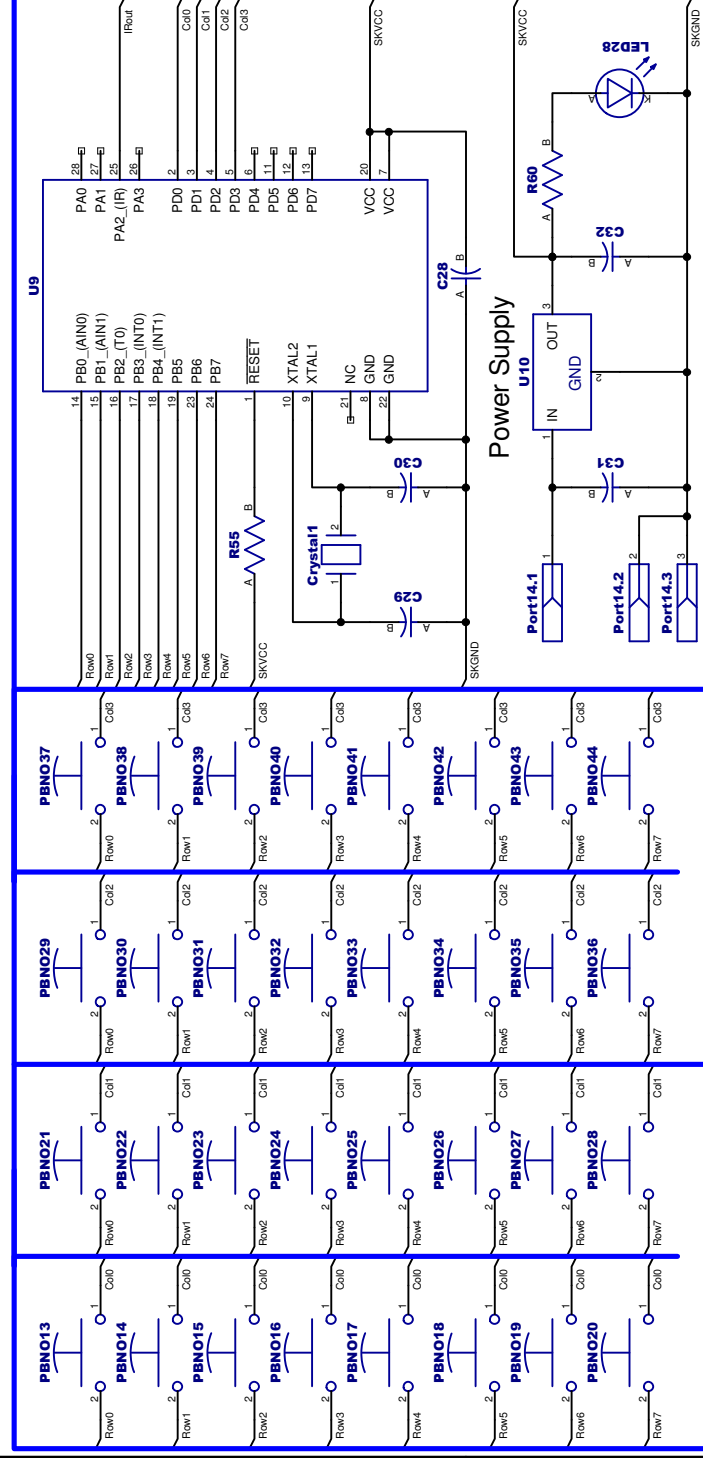


Moderator and Player Units

Peripheral Display and Buzzer

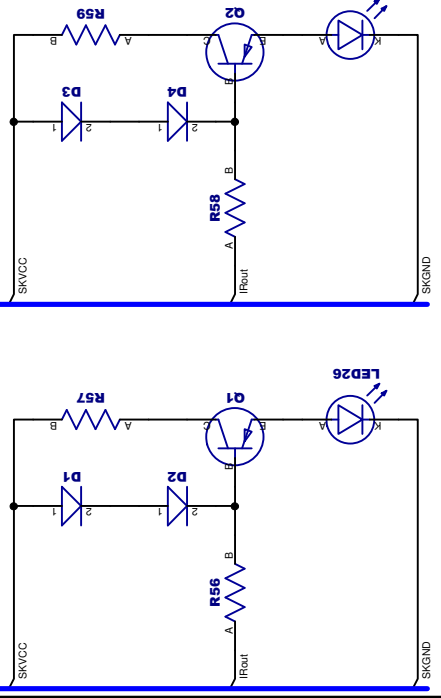
SIZE	FSCM NO.	DWG NO.	REV
SCALE			Peripherals

REVISONS		DATE	APPROVED
ZONE	REV	DESCRIPTION	



B

B



A

A

Remote Control for the Scoreboard and Timer Unit

Remote Control

SIZE	FSCM NO.	DWGM NO.	REV
SCALE		Scorekeeper	