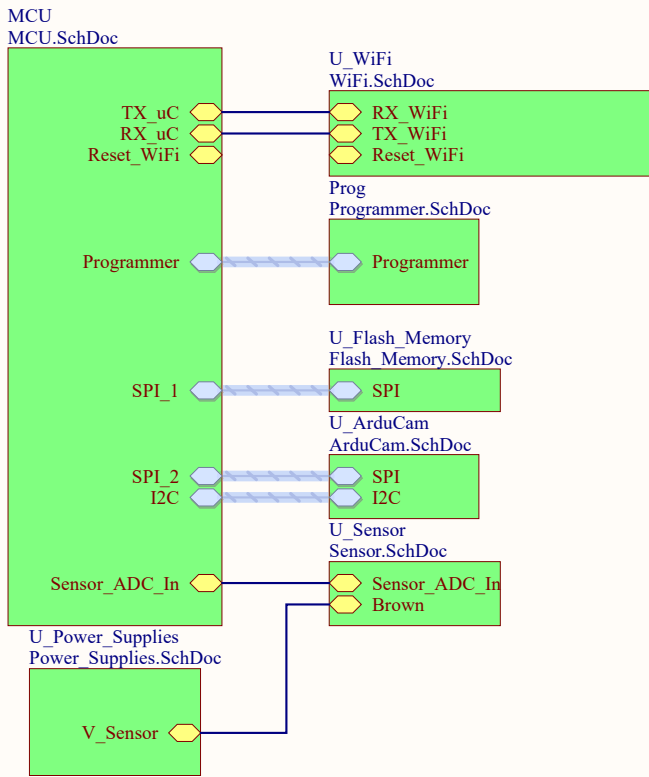


ArduCam

Need to choose between SPI and I2C, Feeling SPI



Title		
Size	Number	Revision
A		
Date:	12/7/2016	Sheet of
File:	C:\Users\...\ArduCam.SchDoc	Drawn By:

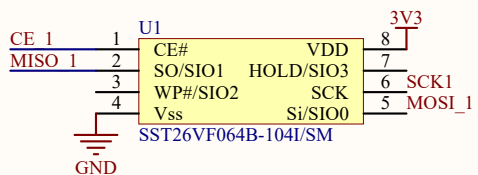


TODO List

Don't have a reset Connection between wifi and uC

Title		
Size	Number	Revision
A		
Date:	12/7/2016	Sheet of
File:	C:\Users\...\Final Project.SchDoc	Drawn By:

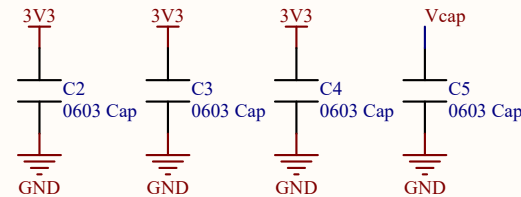
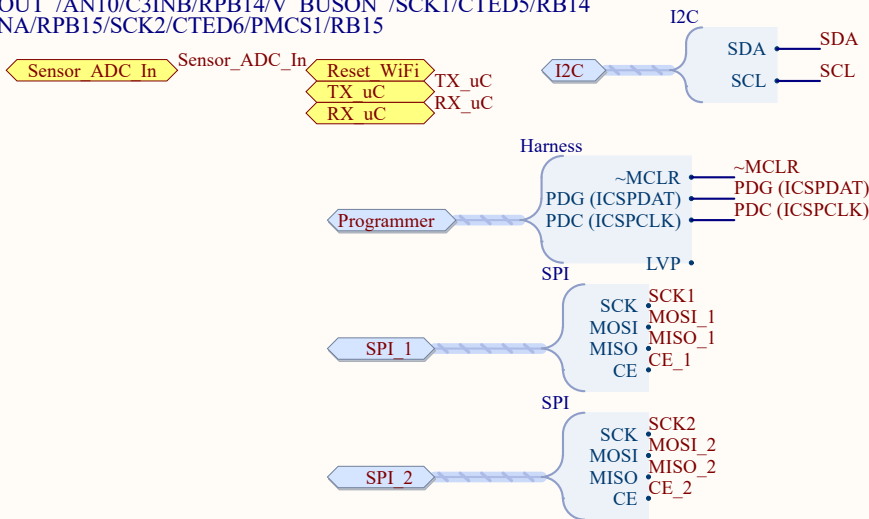
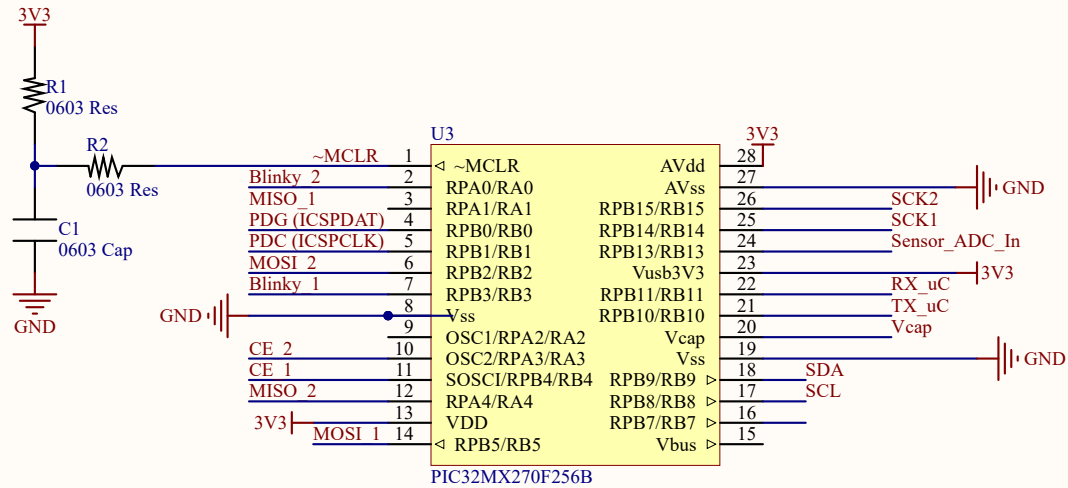
Not Sure what to do with WP and Hold for Now. I think these pins are correct



Title		
Size	Number	Revision
A		
Date:	12/7/2016	Sheet of
File:	C:\Users\...\Flash Memory.SchDoc	Drawn By:

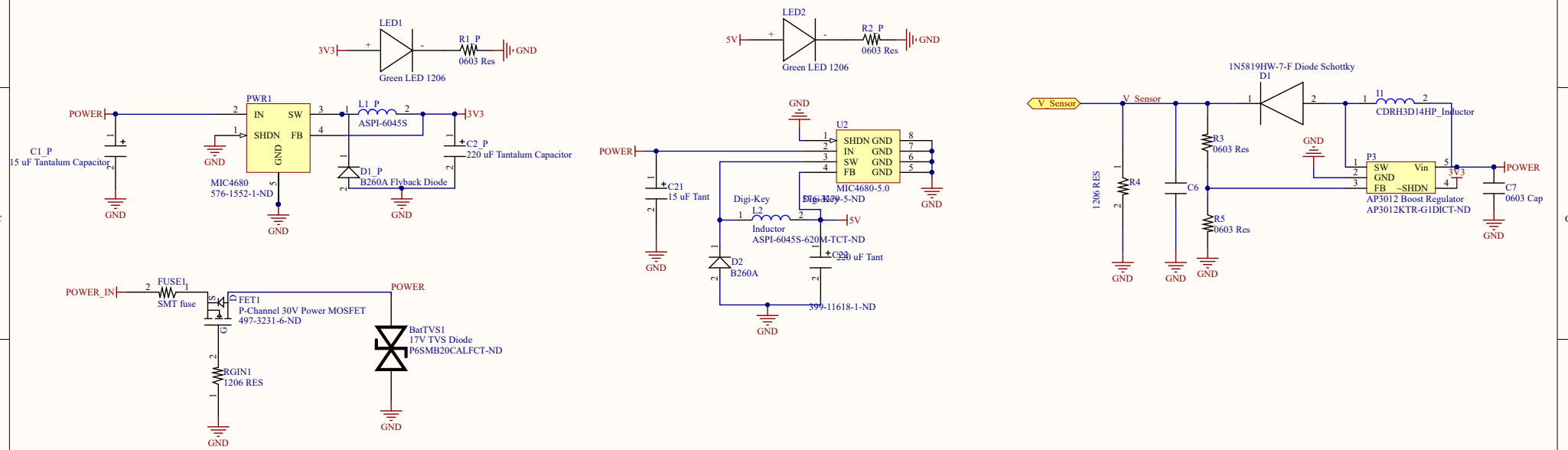


- 2. PGED3/V REF +/CV REF +/AN0/C3INC/RPA0/CTED1/PMD7/RA0
- 3. PGEC3/V REF -/CV REF -/AN1/RPA1/CTED2/PMD6/RA1
- 4. PGED1/AN2/C1IND/C2INB/ C3IND/RPB0/PMD0/RB0
- 5. PGEC1/AN3/C1INC/C2INA/RPB1/CTED12/PMD1/RB1
- 6. AN4/C1INB/C2IND/RPB2/SDA2/CTED13/PMD2/RB2
- 7. AN5/C1INA/C2INC/RTCC/RPB3/SCL2/PMWR/RB
- 8. Vss
- 9. OSC1/CLKI/RPA2/RA2
- 10. OSC2/CLKO/RPA3/PMA0/RA3
- 11. SOSCI/RPB4/RB4
- 12. SOSCO/RPA4/TICK/CTED9/PMA1/RA4
- 13. Vdd
- 14. TMS/RPB5/USBID/RB5
- 15. Vbus
- 16. TDI/RPB7/CTED3/PMD5/INT0/RB7
- 17. TCK/RPB8/SCL1/CTED10/PMD4/RB8
- 18. TDO/RPB9/SDA1/CTED4/PMD3/RB9
- 19. Vss
- 20. Vcap
- 21. PGED2/RPB10/D+/CTED11/RB10
- 22. PGEC2/RPB11/D-/RB11
- 23. V USB 3 V 3
- 24. AN11/RPB13/CTPLS/PMRD/RB13
- 25. CV REFOUT /AN10/C3INB/RPB14/V BUSON /SCK1/CTED5/RB14
- 26. AN9/C3INA/RPB15/SCK2/CTED6/PMCS1/RB15

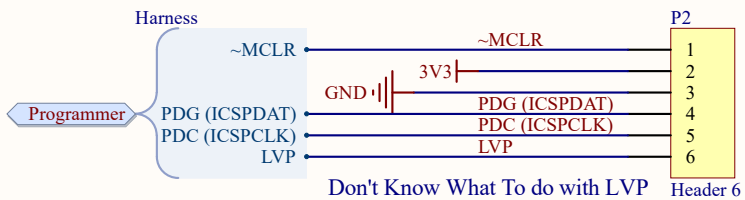


Title		
Size	Number	Revision
A		
Date:	12/7/2016	Sheet of
File:	C:\Users\...\MCU.SchDoc	Drawn By:

Power Supplies



Title		
Size	Number	Revision
Date:	12/7/2016	Sheet of
File:	C:\Users\...Power Supplies.SchDoc	Drawn By:



Don't Know What To do with LVP Header 6

- ~MCLR
- PDG (ICSPDAT)
- PDC (ICSPCLK)
- LVP

These are here for when the harness get's messed up and I give up on it

Title		
Size	Number	Revision
A		
Date:	12/7/2016	Sheet of
File:	C:\Users\...\Programmer.SchDoc	Drawn By:

1

2

3

4

A

A

B

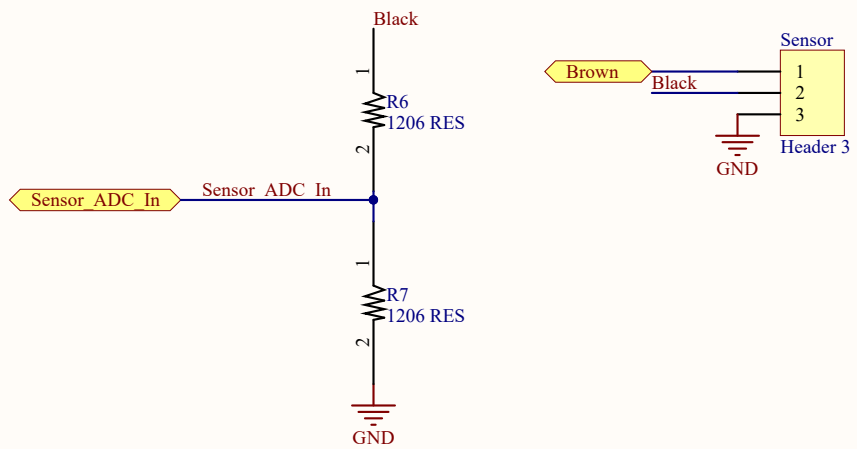
B

C

C

D

D



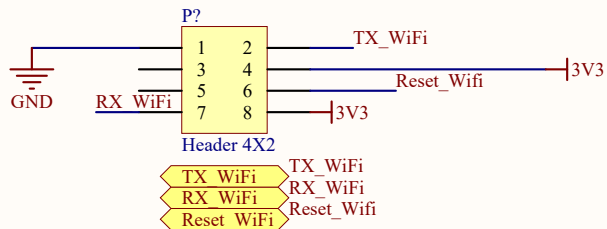
Title		
Size	Number	Revision
A		
Date:	12/7/2016	Sheet of
File:	C:\Users\...\Sensor.SchDoc	Drawn By:

1

2

3

4



Title		
Size	Number	Revision
A		
Date:	12/7/2016	Sheet of
File:	C:\Users\...\WiFi.SchDoc	Drawn By:

